

10.4" SVGA AFOLUX Panel PC

AFL-10A-LX

AFL-10A-N270

AFL-10A-9103

AMD Geode LX-800 500 MHz Processor

Intel® Atom™ Processor N270 1.6GHz Processor

Intel® Celeron® M 1GHz 512KB Processor



Features



- 10.4" TFT LCD with resistive touch screen
- Selectable AT/ATX power mode through the switch on the chassis inside
- Fanless cooling system
- System memory up to 2 GB SDRAM
- Built-in HSUPA module for mobile connection (Optional)
- 18V~30V wide range DC power input (Optional)
- One compact flash slot
- IP 64 compliant front panel

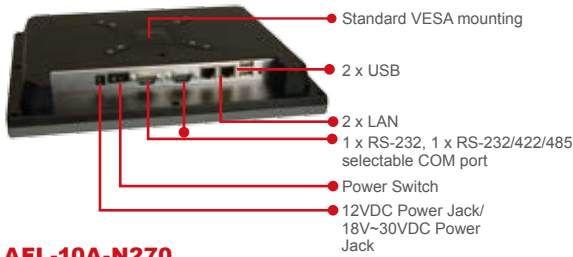


Specifications

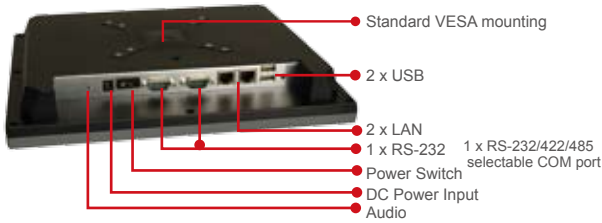
Model	AFL-10A-LX-R12 / AFL-10A-LX24V	AFL-10A-N270-R10	AFL-10A-9103
LCD Size		10.4"	
Max Resolution		800 x 600	
Brightness (cd/m ²)		400	
Contrast Ratio		500:1	
LCD Color		262K	
Pixel Pitch (mm)		211.2(H) x 158.4(V)	
Viewing Angle (H-V)		120°/100°	
Backlight MTBF		50000 hrs	
SBC Model	AFLMB-LX-800	AFLMB-945GSE-N270-R10	AFLMB-9103-R11
CPU	AMD LX 800 (500MHz)	Intel® Atom™ process N270 1.6GHz CPU	Intel® Celeron M process 1Gz 512KB Cache CPU
Chipset	AMD LX 800 + AMD CS5536	Intel® 945GSE + ICH7M	Intel® 910GMLE
RAM	Supports one 333MHz or 400MHz DDRII SO-DIMM (1GB Max.)	Supports one 400MHz or 533MHz DDRII SO-DIMM (2GB Max.)	Supports one 400MHz DDRII SO-DIMM (2GB Max.)
I/O Ports	1 x RS232 COM Port 1 x RS-232/422/485 COM port 2 x RJ-45 for 10/100Mbps LAN 2 x USB 2.0 1 x Power Switch 1 x Reset Button 1 x Power Jack 1 x Audio Port	1 x RS232 COM Port 1 x RS-232/422/485 COM port 2 x RJ-45 for Giga LAN 2 x USB 2.0 1 x Power Switch 1 x Reset Button 1 x External SATA 1 x Audio Port 1 x Power Jack	1 x RS232 COM Port 1 x RS-232/422/485 COM port 1 x RJ-45 for Giga LAN 4 x USB 2.0 1 x Power Switch 1 x Reset Button 1 x External SATA 1 x Audio Port 1 x Power Jack
SSD	CF Typell		
Watchdog Timer	Software programmable supports 1~255 sec. System reset		
Audio	AMP 1.5W + 1.5W (internal speaker)		
Expansion	1 x Wireless Lan 802.11 b/g Module (internal Mini PCI interface) 1 x Bluetooth Function (internal USB interface, Bluetooth V2.0)	1 x Wireless Lan 802.11 b/g Module (internal PCIe mini card interface) 1 x Bluetooth Function (internal USB interface, Bluetooth V2.0)	1 x Wireless Lan 802.11 b/g Module (internal PCIe mini card interface) 1 x Bluetooth Function (internal USB interface, Bluetooth V2.0)
Drive Bay	N/A		
Optional HSUPA Module (support GSM 850, EGSM 900, DCS 1800 & 1900)	1 x HSUPA Mobile Module (internal USB Interface)	1 x HSUPA Mobile Module (internal USB Interface)	1 x HSUPA Mobile Module (internal USB Interface)
Construction Front Panel	ABS + PC Plastic front frame		
LED Function	1 x Power ON/OFF LED on Front Panel		
Mounting	Panel, Wall, Rack, Stand and Arm VESA 75mm x 75mm / 100mm x 100mm		
Front Panel Color	Gray 7539U		
Dimension (WxHxD) (mm)	276 x 227 x 50.7		
Operation Temperature (°C)	0°C ~ 50°C	-10°C ~50°C	0°C ~45°C
Storage Temperature (°C)	-20°C ~ 60°C		
N/G Weight	1.4 Kg		
IP Level	Front Frame IP64		
Safety & EMC	CE / FCC / CB / CCC		
Touch Screen	Resistive Type 5-Wire (Touch controller IC is on board)		
Power Adapter	P/N: 63000-FSP0361AD101C-RS 36W Power Adapter Input: 90VAC~264VAC, 50/60Hz Output: 12VDC	P/N: 63000-FSP0361AD101C-RS 36W Power Adapter Input: 90VAC~264VAC, 50/60Hz Output: 12VDC	P/N: 63000-FSP0481AD101C-RS 48W Power Adapter Input: 90VAC~264VAC, 50/60Hz Output: 12VDC
Power Requirement	12VDC/18~30VDC	12VDC	12VDC
Power Consumption	25W	28W	34W

Fully Integrated I/O

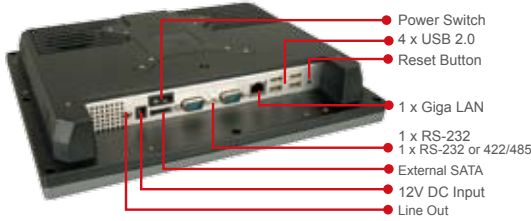
• AFL-10A-LX



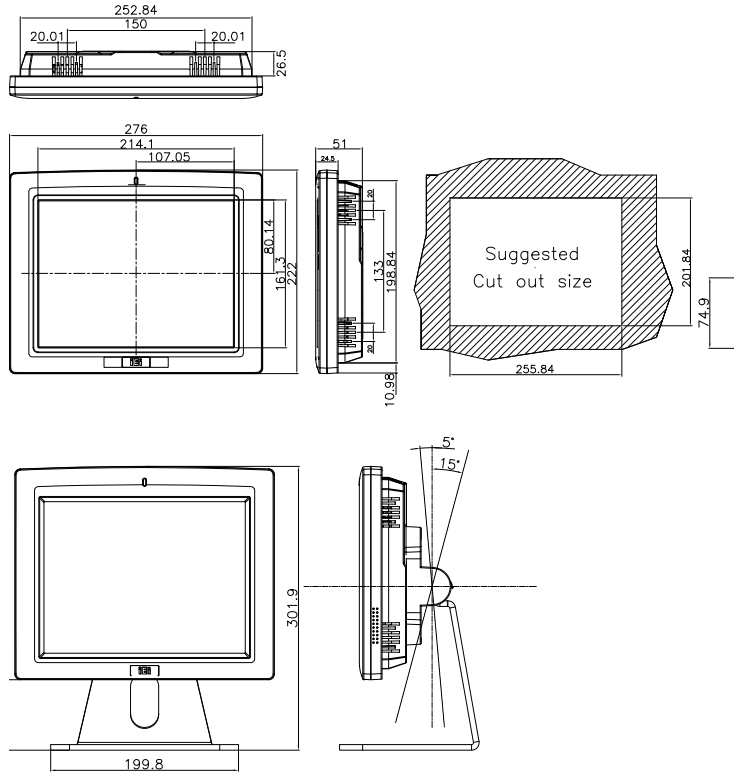
• AFL-10A-N270



• AFL-10A-9103



Dimensions (Unit: mm)



Ordering Information

Part Number	Description
AFL-10A-LX/WT-R/256MB/ ***(HSUPA01)-R12	10.4" 400 cd/m ² , SVGA fanless panel PC with AMD LX-800 CPU, AT/ATX mode, 802.11b/g Wireless Module,Bluetooth Module,Touch screen and 256MB DDR RAM, R12,RoHS
AFL-10A-LX/WT-R/512MB/ ***(HSUPA01)-R12	10.4" 400 cd/m ² , SVGA fanless panel PC with AMD LX-800 CPU, AT/ATX mode, 802.11b/g Wireless Module,Bluetooth Module,Touch screen and 512MB DDR RAM, R12,RoHS
AFL-10A-LX24V/WT-R/256MB/ ***(HSUPA01)-R11	10.4" 400 cd/m ² , SVGA fanless panel PC with AMD LX-800 CPU, 18~30VDC input,AT/ATX mode, 802.11b/g Wireless Module,Bluetooth Module,Touch screen and 256MB DDR RAM, R11, RoHS
AFL-10A-LX24VWT-R/256MB/ ***(HSUPA01)-R11	10.4" 400 cd/m ² , SVGA fanless panel PC with AMD LX-800 CPU, 18~30VDC input,AT/ATX mode, 802.11b/g Wireless Module,Bluetooth Module,Touch screen and 512MB DDR RAM, R11, RoHS
AFL-10A-9103-10G/WT-R/1GB/ ***(HSUPA01)	10.4" 400cd/m ² SVGA fanless panel PC with Celeron® M 1.0GHz 512K cache CPU,1GB DDR2 RAM, 802.11 b/g wireless module,touch screen, Bluetooth, RoHS
AFL-10A-N270/WT-R/1GB/ ***(HSUPA01)-R10	10.4" 400cd/m ² SVGA fanless panel PC with Intel® Atom™ N270 1.6GHz,802.11b/g wireless module, bluetooth module, touch screen ,1GB DDR2 5330-FSP0481AD101C-RS

Note: WiFi 802.11 draft N is upgradable.

Options

Model	AFL-10A-LX	AFL-10A-N270	AFL-10A-9103
Panel mounting kit		AFLPK-12	
Wall mounting kit		AFLWK-12	
Rack mounting kit		AFLRK-10	
ARM		ARM-11-RS / ARM-31-RS	
Stand		STAND-A12 / STAND-100-RS / STAND-150-RS	
VSTAND		VSTAND-A10	
9~30VDC to 12VDC converter module		IDD-930160-KIT	
OS: Win CE 5.0 (128 MB CF card)	AFLCF-10-LX-CE-R11	N/A	AFLCF-10-9103-CE
OS: Win CE 6.0 (128 MB CF card)	AFLCF-10-LX-CE060-R11	AFLCF-10-N270-CE060-R10	AFLCF-10-9103-CE060
OS: Win XPE (1 GB CF card)	AFLCF-10-LX-XPE-R11	AFLCF-10-N270-XPE-R10	AFLCF-10-9103-XPE
OS: LINUX (2 GB CF card)	AFLCF-10-LX-LNX-R10	AFLCF-10-N270-LNX-R10	AFLCF-10-9103-LNX-R10
Hybrid Card Reader		AFLP-10AMSI-U	
Magnetic Stripe Reader		AFLP-10AMSR-U	
DC 12V Input UPS		AUPS-A10-R10 (7.4V 3800mAH)	
DC 9~36V Input UPS		AUPS-A20-R10 (7.4V 3800mAH)	

ISMM Support Functions

	Voltage	Fan	Smart Fan	Temperature	DIO	WDT	Cash Drawer
AFL-10A-LX	V			V		V	
AFL-10A-9103	V	V	V	V		V	
AFL-10A-N270	V			V		V	

Packing List

Item	Part Number	Q'ty	Specification
Screws Pack	44013-030041-RS	4	M3;5mm
Power Adpater	63000-FSP0361AD101C-RS 63000-FSP0481AD101C-RS	1	90~264V AC; 12V DC; 36W (for LX, N270) 90~264V AC; 12V DC; 48W (for 9103)
Power Cord	32000-000002-RS	1	1750mm; European Standard
Utilities CD	7B000-000087-RS	1	
Touch Pen	XTR104-0002-RS	1	

Note: AFL-10A-LX24V model is without power adapter