

# AFL-15A(E)-LXPOS

AMD Geode™ LX-800 500 MHz Processor

# AFL-15A(E)-N270

Intel® Atom™ Processor N270 1.6GHz Processor

# AFL-15A(E)-915

Intel® Celeron® M 1GHz 512KB Processor



(Optional POS Stand)

## Features

- 15" TFT LCD with resistive touch screen
- System memory up to 2 GB RAM
- Built-in 802.11b/g (802.11 b/g/n) Wireless LAN
- Built-in Bluetooth module
- Selectable AT/ATX power mode through the switch on the chassis inside
- Built-in two speakers
- Optional HSUPA module for mobile connection
- One compact flash slot
- IP 64 compliant front panel
- IEI One Key Recovery solution allows you to create rapid OS backup and recovery (Suggest over 4GB storage capacity)



## Specifications

Fanless

Fanless

Fanless

Fanless

Model	AFL-15A(E)-LXPOS	AFL-15A(E)-N270-R10	AFL-15D(E)-N270-R10	AFL-15A(E)-915-R11
LCD Size	15"			
Max Resolution	1024 x 768			
Brightness (cd/m <sup>2</sup> )	350 or 250			
Contrast Ratio	700:1 or 600:1			
LCD Color	262K or 16.7M			
Pixel Pitch (mm)	0.297(H) x 0.297(V)			
Viewing Angle (H-V)	140°/125° or 160°/160°			
Backlight MTBF	50000 or 40000 hrs			
SBC Model	AFLMB-LXPOS-R10	AFLMB2-945GSE-N270-R10		AFLMB-9152-R11
CPU	AMD LX 800 (500MHz)	Intel® Atom™ process N270 1.6GHz CPU		Intel® Celeron® M process 1Gz with 512KB L2 Cache processor CPU
Chipset	AMD LX 800 + AMD CS5536	Intel® 945GSE + ICH7M		Intel® 915 GME
RAM	Supports one 333MHz or 400MHz DDR SO-DIMM (1GB Max.)	Supports one 400MHz or 533MHz DDRII SO-DIMM (2GB Max.)		Supports two 400MHz or 533MHz DDRII SO-DIMM (2GB Max.)
I/O Ports	2 x RS-232 COM Port (pin9 with RI, 5V or 12V switch selectable) 1 x RJ-45 for 10/100Mbps LAN 2 x USB 2.0 1 x Power Switch 1 x Reset Button 1 x RJ-12(12VDC) for Cash Drawer 1 x Power Jack	1 x RS-232 COM Port 1 x RS-232/422/485 COM port 2 x RJ-45 for Giga LAN 4 x USB 2.0 1 x Power Switch 1 x Reset Button 1 x Audio Port (line-out) 1 x VGA Port 1 x Power Jack		1 x RS-232 COM Port 1 x RS-232/422/485 COM port 2 x RJ-45 for Giga LAN 4 x USB 2.0 1 x Power Switch 1 x Reset Button 1 x External SATA 1 x Audio Port (line-out) 1 x VGA Port 1 x Power Jack
SSD	CF Typell			
Watchdog Timer	Software programmable supports 1~255 sec. System reset			
Audio	AMP 1.5W + 1.5W (internal speaker)			
Expansion	1 x Wireless Lan 802.11 b/g Module (internal Mini PCI interface)	1 x Wireless Lan 802.11 b/g Module (internal PCIe Mini interface) 1 x Bluetooth Function (internal USB interface, Bluetooth V2.0)		
HDD Drive Bay	1 x 2.5" IDE HDD bay	1 x 2.5" SATA HDD bay or Optional HSUPA module (USB interface)		1 x 2.5" SATA HDD bay or Optional HSUPA module (USB interface)
Optional HSUPA Module (support GSM 850, EGSM 900, DCS 1800 & 1900)	N/A			
ODD Drive Bay	N/A	N/A	1 x CD/DVD combo drive bay	N/A
Construction Front Panel	ABS + PC Plastic front frame			
LED Function	1 x LED on Front Panel for Power ON/OFF 2 x LED on Rear cover for COM port 12V : RED / 5V : YELLOW / RI : GREEN	1 x Power ON/OFF LED on Front Panel		
Mounting	Panel, Wall, Rack, Stand and Arm, VESA 100mm x 100mm			
Front Panel Color	Silver (877U) & Gray (ABSA2037)			
Dimension (WxHxD) (mm)	394 x 309 x 61			
Operation Temperature (°C)	0°C ~ 50°C	0°C ~40°C with SATA HDD -10°C ~50°C with CF Card or SATA interface 2.5" SSD HDD		0°C ~40°C With SATA HDD 0°C ~45°C With CF Card or SATA interface 2.5" SSD HDD
Storage Temperature (°C)	-20°C ~ 60°C			
N/G Weight	3.2 Kg			
IP Level	Front Frame IP64			
Safety & EMC	CE / FCC / CB / CCC			
Touch Screen	Resistive Type 5-Wire (Touch controller IC is on board) or Capacitive type touch screen without HDD bay			
Power Adapter	P/N: 63000-FSP060DBAB1553-RS 60W Power Adapter Input: 90VAC~264VAC, 50/60Hz / Output: 12VDC	P/N: 63000-FSP060DBAB1554-RS 60W Power Adapter Input: 90VAC~264VAC, 50/60Hz / Output: 12VDC		P/N: 63000-FSP060DBAB1554-RS 60W Power Adapter Input: 90VAC~264VAC, 50/60Hz / Output: 12VDC
Power Requirement	12VDC			
Power Consumption	38W	49W		41W

1 Automation Panel Solutions

2 All-in-One Touch POS

3 Digital Signage

4 Video Wall Controller

5 RISC-based Solutions

6 PACSmate Medical

7 Optional Peripherals

15" XGA AFOLUX Panel PC

**AFL-15B(E)-915**

Intel® Pentium® M 2GHz (max.)

**AFL-15C(E)-9652**

Intel® Core™2 Duo T7500 2.2GHz processor (max.)

**AFL-15C(E)-QM57**

Intel® Core i7-620M 2.66GHz Processor (max.)



1  
Automation  
Panel  
Solutions

2  
All-in-One  
Touch POS

3  
Digital  
Signage

4  
Video Wall  
Controller

5  
RISC-based  
Solutions

6  
PACSmate  
Medical

7  
Optional  
Peripherals



(Optional Desktop Stand)



**NEW Features in QM57 Platform :**

- Powered by high performance 2.66 GHz Intel® Core i7-620M CPU with Intel® QM57 chipset
- DDR3 1066MHz system memory up to 4GB
- Support iAMT 6.0 for system remote control and monitoring
- HDMI port/DisplayPort delivers the high image quality on the second display
- IEI One Key Recovery solution allows you to create rapid OS backup and recovery (Suggest over 4GB storage capacity)



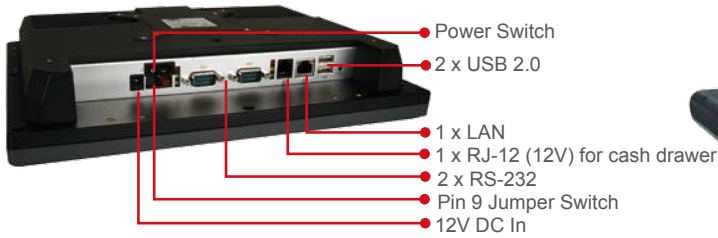
**Specifications**



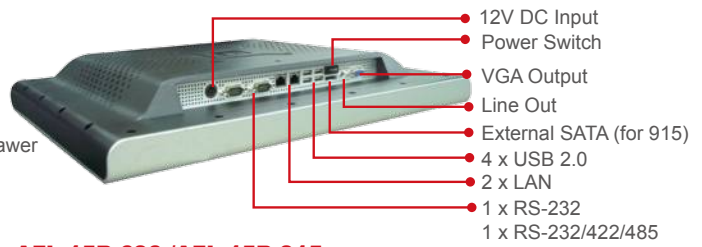
Model	AFL-15B(E)-915-R11	AFL-15C(E)-9652	AFL-15C(E)-QM57
LCD Size	15"		
Max Resolution	1024 x 768		
Brightness (cd/m <sup>2</sup> )	350 or 250		
Contrast Ratio	700:1 or 600:1		
LCD Color	262K or 16.7M		
Pixel Pitch (mm)	0.297(H) x 0.297(V)		
Viewing Angle (H-V)	140°/125° or 160°/160°		
Backlight MTBF	50000 hrs or 40000 hrs		
SBC Model	AFLMB-9152-R11	AFLMB-9652-R10	AFLMB2-QM57-R10
CPU	Intel® Pentium M process (up to 2.0GHz) processor CPU Intel® Celeron M process CPU	Intel® Celeron M550 2.0GHz CPU Intel® Core 2 Duo T7500 2.2GHz CPU	Socket G (PGA989) Intel® Arrondale processor
Chipset	Intel® 915 GME	Intel® GME965	Intel® Ibox Peak-M
RAM	Supports two 400MHz or 533MHz DDRII SO-DIMM(2GB Max.)	Supports two 400MHz DDRII SO-DIMM(4GB Max.)	Two 204-pin 800/1066 DDR3 dual-channel SODIMMs supported (system max. 4GB)
I/O Ports	1 x RS-232 COM Port 1 x RS-232/422/485 COM port 2 x RJ-45 for Giga LAN 4 x USB 2.0 1 x Power Switch 1 x Reset Button 1 x External SATA 1 x Audio Port (line-out) 1 x VGA Port 1 x Power Jack	1 x RS-232 COM Port 1 x RS-232/422/485 COM port 2 x RJ-45 for Giga LAN 4 x USB 2.0 1 x Power Switch 1 x Reset Button 1 x External SATA 1 x Audio Port (line-out) 1 x VGA Port 1 x Power Jack	1 x RS-232 COM Port 1 x RS-232/422/485 COM Port 2 x RJ-45 for Giga LAN 4 x USB 2.0 1 x Power Switch 1 x Reset Button 1 x Audio Port (Line-Out) 1 x VGA 1 x Power Jack 1 x HDMI Port 1 x Display Port 1 x MIC In
SSD	CF Typell		
Watchdog Timer	Software programmable supports 1~255 sec. System reset		
Audio	AMP 3W + 3W (internal speaker)		
Expansion	1 x Wireless Lan 802.11 b/g Module (internal Mini PCIe interface) 1 x Bluetooth Function (internal USB interface, Bluetooth V2.0)		1 x Wireless Lan 802.11 b/g/n Module (internal PCIe Mini card interface) 1 x Bluetooth Function (internal USB interface, Bluetooth V2.1+EDR)
Drive Bay	1 x 2.5" SATA HDD bay or 1 x HSUPA Mobile Module (USB Interface)		
Optional HSUPA Module (support GSM 850, EGSM 900, DCS 1800 & 1900)			
Construction Front Panel	ABS + PC Plastic front frame		
Membrane Keypad	N/A	LCD On/Off, Brightness Up/Down, Volume High/Low (5 keys)	
LED Function	1 x Power ON/OFF LED on Front Panel		
Mounting	Panel, Wall, Rack, Stand and Arm VESA 100mm x 100mm		
Front Panel Color	Silver (877U) & Gray (ABSA2037)		
Dimension (WxHxD) (mm)	394 x 309 x 75		394 x 309 x 75
Operation Temperature (°C)	0°C~45°C with CF card or SATA interface 2.5" SSD HDD 0°C~40°C with SATA 2.5" HDD		0°C~45°C with CF card or SATA interface 2.5" SSD HDD 0°C~40°C with SATA 2.5" HDD
Storage Temperature (°C)	-20°C ~ 60°C		
N/G Weight	5.8 Kg		
IP Level	Front Frame IP64		
Safety & EMC	CE / FCC / CB / CCC		
Touch Screen	Resistive Type 5-Wire (Touch controller IC is on board) or Capacitive type touch screen without HDD bay		
Power Adapter	P/N: 63000-FSP084DMBA1308-RS 84W Power Adapter Input: 90VAC~264VAC, 50/60Hz Output: 12VDC	P/N: 63000-FSP096AHB-RS 96W Power Adapter Input: 90VAC~264VAC, 50/60Hz Output: 12VDC	
Power Requirement	12VDC		
Power Consumption	63W	69W (Intel® T7500, 2GB memory, 80G HDD)	85W

## Fully Integrated I/O

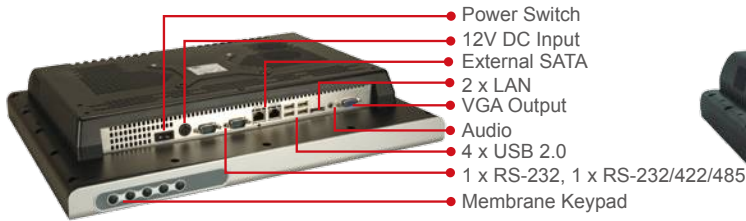
### • AFL-15A-LXPOS



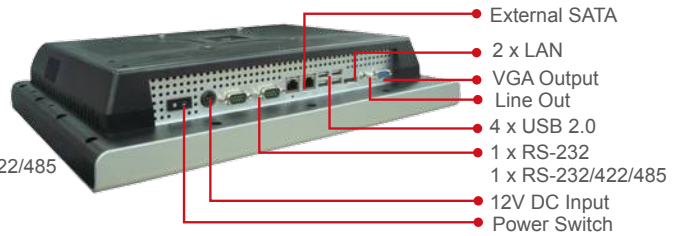
### • AFL-15A-915 / AFL-15A-N270



### • AFL-15C-9652



### • AFL-15B-690 /AFL-15B-915



## Ordering Information

### • High Luminance (350 cd/m<sup>2</sup>)

Part Number	Description
AFL-15A-N270/WT-R/1GB/**(HU01)-R10	15" 350cd/m <sup>2</sup> XGA fanless panel PC with Intel® Atom™ N270 1.6GHz CPU, 1GB DDR2 RAM, 802.11 b/g wireless module, touch screen, Bluetooth, RoHS
AFL-15A-LXPOS/WT-R/256MB <i>POS Panel PC!</i>	15" 350cd/m <sup>2</sup> XGA fanless panel PC with AMD Geode™ LX 800 CPU, 256MB DDR RAM, 802.11b/g wireless module, and touch screen, without STAND
AFL-15A-915-10G/WT-R/1GB-R11	15" 350cd/m <sup>2</sup> XGA fanless panel PC w/ Celeron M 1.0GHz 512K cache CPU, DDR2 RAM, 802.11 b/g wireless module, touch screen, Bluetooth, RoHS
AFL-15B-915-PM16G/WT-R/1GB/**(HSUPA01)-R11	15" 350cd/m <sup>2</sup> XGA panel PC w/ Pentium® M 1.6GHz CPU, 1GB DDR2 RAM, 802.11 b/g wireless module, touch screen, Bluetooth, RoHS
AFL-15B-915-CM370/WT-R/1GB/**(HSUPA01)-R11	15" 350cd/m <sup>2</sup> XGA panel PC w/ Celeron® M 1.5GHz CPU, 1GB DDR2 RAM, 802.11 b/g wireless module, touch screen, Bluetooth, RoHS
AFL-15C-9652-CM550/WT-R/1GB/**(HSUPA01)	15" 350cd/m <sup>2</sup> XGA panel PC with Celeron® M 550 2.0GHz CPU, 1GB DDR2 RAM, 802.11 b/g/n wireless module, touch screen, Bluetooth, RoHS
AFL-15C-9652-T7500/WT-R/2GB/**(HSUPA01)	15" 350cd/m <sup>2</sup> XGA panel PC with Core™2 Dou T7500 2.2GHz CPU, 2GB DDR2 RAM, 802.11 b/g/n wireless module, touch screen, Bluetooth, RoHS
AFL-15C-QM5715/R/**(H)/2G-R10	15" 350cd/m <sup>2</sup> XGA panel PC with Intel® Core™ i5-520M 2.4G CPU, 2GB DDR3 RAM, 802.11 b/g/n wireless module, touch screen, Bluetooth, RoHS
AFL-15C-QM5717/R/**(H)//2G-R10	15" 350cd/m <sup>2</sup> XGA panel PC with Intel® Core™ i7-620M 2.66G CPU, 2GB DDR3 RAM, 802.11 b/g/n wireless module, touch screen, Bluetooth, RoHS
AFL-15D-N270/WT-R/OD/1GB-R10	15" 350cd/m <sup>2</sup> XGA fanless panel PC with Intel® Atom™ N270 1.6GHz, 802.11b/g wireless module, bluetooth module, touch screen, 1GB DDR2 RAM, DVD-COMBO, RoHS

### • Regular Luminance (250 cd/m<sup>2</sup>)

Part Number	Description
AFL-15AE-N270/WT-R/1GB/**(HU01)-R10	15" 250cd/m <sup>2</sup> XGA fanless panel PC with Intel® Atom™ N270 1.6GHz CPU, 1GB DDR2 RAM, 802.11 b/g wireless module, touch screen, Bluetooth, RoHS
AFL-15AE-LXPOS/WT-R/256MB	15" 250cd/m <sup>2</sup> XGA fanless panel PC with AMD Geode™ LX 800 CPU, 256MB DDR RAM, 802.11b/g wireless module, and touch screen, without STAND
AFL-15AE-915-10G/WT-R/1GB-R11	15" 250cd/m <sup>2</sup> XGA fanless panel PC w/ Celeron M 1.0GHz 512K cache CPU, DDR2 RAM, 802.11 b/g wireless module, touch screen, Bluetooth, RoHS
AFL-15BE-915-PM16G/WT-R/1GB/**(HSUPA01)-R11	15" 250cd/m <sup>2</sup> XGA panel PC w/ Pentium® M 1.6GHz CPU, 1GB DDR2 RAM, 802.11 b/g wireless module, touch screen, Bluetooth, RoHS
AFL-15BE-915-CM370/WT-R/1GB/**(HSUPA01)-R11	15" 250cd/m <sup>2</sup> XGA panel PC w/ Celeron® M 1.5GHz CPU, 1GB DDR2 RAM, 802.11 b/g wireless module, touch screen, Bluetooth, RoHS
AFL-15CE-9652-CM550/WT-R/1GB/**(HSUPA01)	15" 250cd/m <sup>2</sup> XGA panel PC with Celeron® M 550 2.0GHz CPU, 1GB DDR2 RAM, 802.11 b/g/n wireless module, touch screen, Bluetooth, RoHS
AFL-15CE-9652-T7500/WT-R/2GB/**(HSUPA01)	15" 250cd/m <sup>2</sup> XGA panel PC with Core™2 Dou T7500 2.2GHz CPU, 2GB DDR2 RAM, 802.11 b/g/n wireless module, touch screen, Bluetooth, RoHS
AFL-15CE-QM5715/R/**(H)//2G-R10	15" 250cd/m <sup>2</sup> XGA panel PC with Intel® Core™ i5-520M 2.4G CPU, 2GB DDR3 RAM, 802.11 b/g/n wireless module, touch screen, Bluetooth, RoHS
AFL-15CE-QM5717/R/**(H)//2G-R10	15" 250cd/m <sup>2</sup> XGA panel PC with Intel® Core™ i7-620M 2.66G CPU, 2GB DDR3 RAM, 802.11 b/g/n wireless module, touch screen, Bluetooth, RoHS
AFL-15DE-N270/WT-R/OD/1GB-R10	15" 250cd/m <sup>2</sup> XGA fanless panel PC with Intel® Atom™ N270 1.6GHz, 802.11b/g wireless module, bluetooth module, touch screen, 1GB DDR2 RAM, DVD-COMBO, RoHS

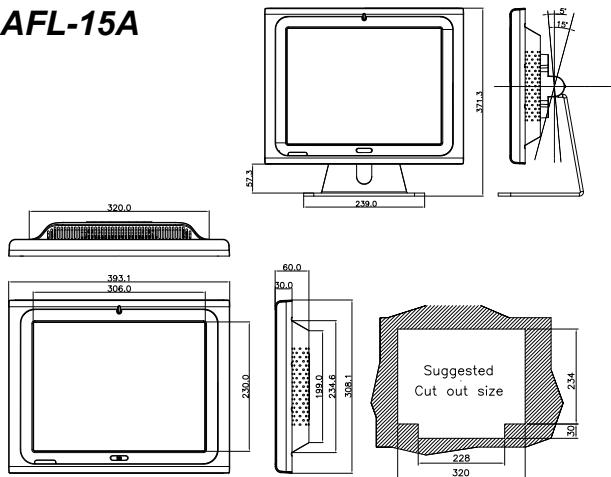
Note 1: WiFi 802.11 draft N is upgradable.  
Note 2: AFL-15D(E)-N270 make to project base order

## ISMM Support Functions

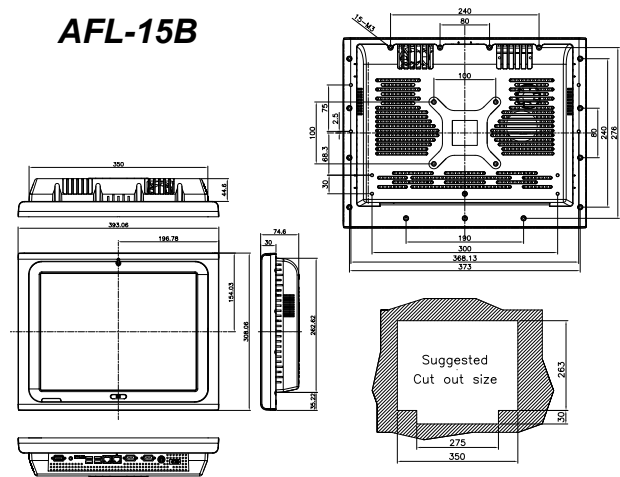
	Voltage	Fan	Smart Fan	Temperature	WDT	Cash Drawer
AFL-15C(E)-QM57	V	V	V	V	V	
AFL-15A(B)-915	V	V	V	V	V	
AFL-15C(E)-9652	V	V	V	V	V	
AFL-15A(E)-LXPOS	V			V	V	V
AFL-15A(E)-N270	V			V	V	

Dimensions (Unit: mm)

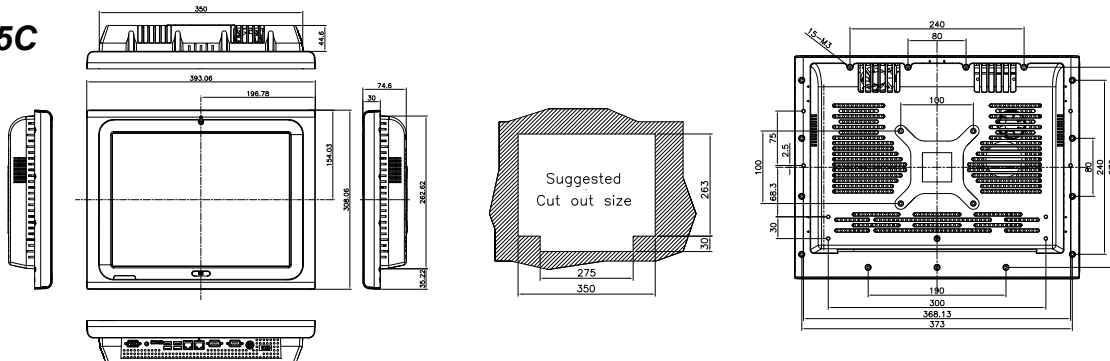
**AFL-15A**



**AFL-15B**



**AFL-15C**



**Packing List**

Item	Part Number	Q'ty	Specification
Screws Pack	44013-030041-RS	4	M3.5mm
Power Adpater	63000-FSP060DBAB1553-RS 63000-FSP084DMBA1308-RS 63000-FSP096AHB-RS 63000-FSP060DBAB1554-RS	1	90~264V AC; 12V DC; 60W (15A(E)-LXPOS) 90~264V AC; 12V DC; 84W (15B-915) 90~264V AC; 12V DC; 96W (15C-9652) 90~264V AC; 12V DC; 60W (15A-915, 15A-N270)
Power Cord	32000-000002-RS	1	1750mm; European Standard
Utilities CD	7B000-000087-RS	1	
Touch Pen	XTR104-0002-RS	1	

**Options**

Model	AFL-15A(E)-LXPOS	AFL-15A(E)-N270	AFL-15A(E)-915	AFL-15B(E)-915	AFL-15C(E)-9652	AFL-15C(E)-QM57
Panel mounting kit	AFLPK-15				AFLPK-15B	
Wall mounting kit	AFLWK-19					
Rack mounting kit	AFLRK-15			AFLRK-15B		
ARM	ARM-11-RS / ARM-31-RS					
Stand	STAND-A19 / STAND-B19 / STAND-POS15 / STAND-210-R11					
OS: Win CE 5.0 (128 MB CF card)	AFLCF-15-LXPOS-CE	N/A	AFLCF-15-915-CE-R11		N/A	
OS: Win CE 6.0 (128 MB CF card)	AFLCF-15-LXPOS-CE060	AFLCF-15-N270-CE060-R10	AFLCF-15-915-CE060-R11		N/A	
OS: Win XPE (1 GB CF card)	AFLCF-15-LXPOS-XPE	AFLCF-15-N270-XPE-R10	AFLCF-15-915-XPE-R11		AFLCF-15-9652-XPE	AFLCF-15-QM57-XPE-R10
OS: LINUX (2 GB CF card)	AFLCF-15-LXPOS-LNX-R10	AFLCF-15-N270-LNX-R10	AFLCF-15-915-LNX-R10		AFLCF-15-9652-LNX-R10	AFLCF-15-QM57-LNX-R10
Hybrid Card Reader	AFLP-17AMSI-U					
Magnetic Stripe Reader	AFLP-17AMSR-U					
DC 12V Input UPS	AUPS-B10-R10 (14.8V 3800mAH)					
DC 9~36V Input UPS	AUPS-B20-R10 (14.8V 3800mAH)					

1  
Automation  
Panel  
Solutions

2  
All-in-One  
Touch POS

3  
Digital  
Signage

4  
Video Wall  
Controller

5  
RISC-  
based  
Solutions

6  
PACsmate  
Medical

7  
Optional  
Peripherals