

# EBC-1000

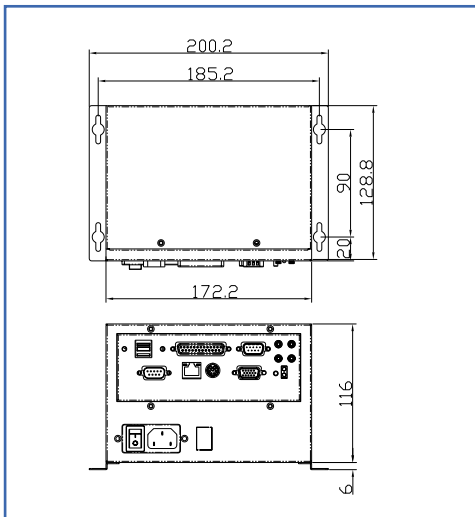
Industrial 3.5" Embedded Chassis

*Customized-I/O solution for compact size and flexible!!*

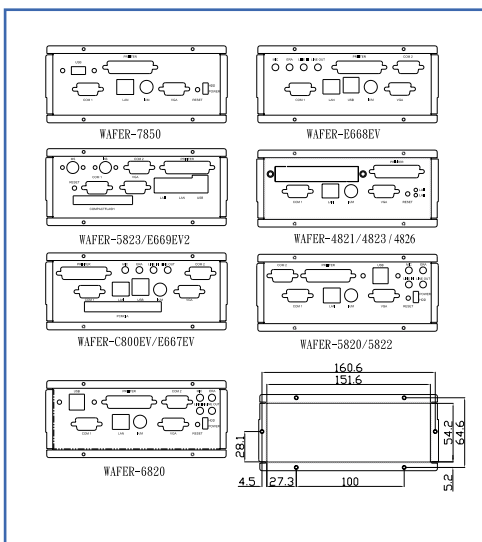


Wall mount kits

## Dimensions

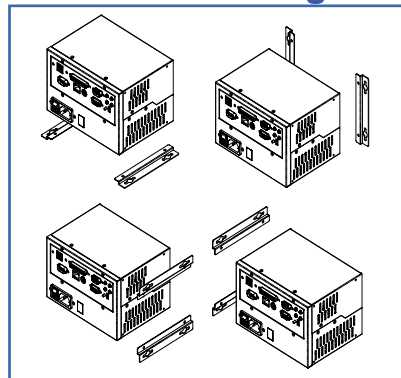


## I/O



Have you ever been troubled by the number of Embedded chassis and model number for specific 3.5" WAFER size CPU board? In order to solve your inventory, compatibility, and future upgrade problems, IEI is proud to introduce a single chassis solution for all 3.5" size CPU board. The EBC-1000 is compatible with IEI's WAFER series CPU board, with its inter-changeable I/O port plate, you can fit the WAFER CPU board of your choice accordingly. This will increase the flexibility in delivering a total system to customer, as well as allow for upgrading CPU board without purchasing new chassis. The compact and versatile EBC-1000 chassis is ideal for factory automation, security system, transportation systems, base station, medical equipment, ATM system, and any internet appliance application.

## Flexible Mounting



## FEATURE

- ◆ Multi Mounting Design
- ◆ IEI WAFER series SBC Supported Embedded Chassis
- ◆ Flexible Customizing I/O Port
- ◆ Support AC/DC Input Power Supply for different power environment

## SPECIFICATIONS

- ◆ Designed to Wall-mount application
- ◆ Designed to IEI 3.5" WAFER series SBC
- ◆ Drive Bays : One 2.5" Internal HDD Drive Bay
- ◆ Standard equipped with Power Supply : ACE-890A 90W AC Input AT Power Supply
- ◆ Optional Power Supply: ACE-890AP AC Input AT Power Supply with PFC Function  
ACE-890V 12V DC Input AT Power Supply  
ACE-890C 24V DC Input AT Power Supply  
ACE-890T 48V DC Input AT Power Supply  
ACE-890P 100V DC Input AT Power Supply
- ◆ Operating temperature: 0~50°C
- ◆ Vibration: 5~17Hz, 0.1" double amplitude displacement  
17~640 Hz, 1.5G acceleration peak to peak
- ◆ Shock: 10G acceleration peak to peak (11ms)
- ◆ Color: Dark Blue (PANTONE 433C)
- ◆ Dimension: 172mm(W)x 116mm(H)x 129mm(D)

## ORDERING INFORMATION

- **EBC-1000/ACE-890A**  
Industrial 3.5" Embedded Chassis with 90W AT Power supply Without I/O Bracket
- **BK-4821** WAFER-4821/4823/4826 I/O Bracket and Cable set
- **BK-5820** WAFER-5820/5822/ I/O Bracket and Cable set
- **BK-5823** WAFER-5823/E669 I/O Bracket and Cable set
- **BK-6820** WAFER-6820 I/O Bracket and Cable set
- **BK-7850** WAFER-7850 I/O Bracket and Cable set
- **BK-C800** WAFER-C800/E667 I/O Bracket and Cable set
- **BK-E668** WAFER-E668 I/O Bracket and Cable set