

Mini-Workstation Series



10.4" ~ 19" IP65 Mini-Workstation, Robust, Shock Resistance and OSD Function



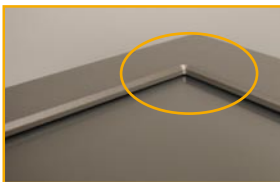
Features

- Aluminum front panel meets IP65 standard for tough working environment
- Optional RS-232 interface touch screen
- Robust chassis and retention kit structure for shocking and vibration requirement
- Over 300cd/m² high brightness and 50000hrs MTFB long lifetime panel
- Advanced thermal and air-flow design
- Panel mount / Rack mount support

MPC Advance Features

■ IP65 Waterproof Aluminum front panel

IP65 standard is the highest dusty, water and oil proof level in ground usage, it absolutely prevents any micro-particle into the system from front panel, and let the system adapting harsh environment.



■ Optional RS-232 interface touch screen

MPC series provide RS-232 reserved port for touch screen. IEI MPC provides T-R model with high strength Fiber Glass Touch Screen for applications.



Optional RS-232 port

■ Complete Drive / IO support

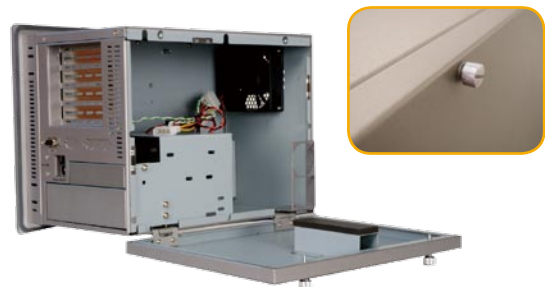
5.25", 3.5", and FDD drive bay options meets all kinds of application demands. User can easily integrate every size of media drive for their needs.



Multi I/O connectors

■ Robust chassis to against shocking and vibration

After thousands tests, we choose "Rigidity" as new designing concept. Every parts runs at "One component", "Less joint and connection" method to enhance the shock and vibration sustainability.



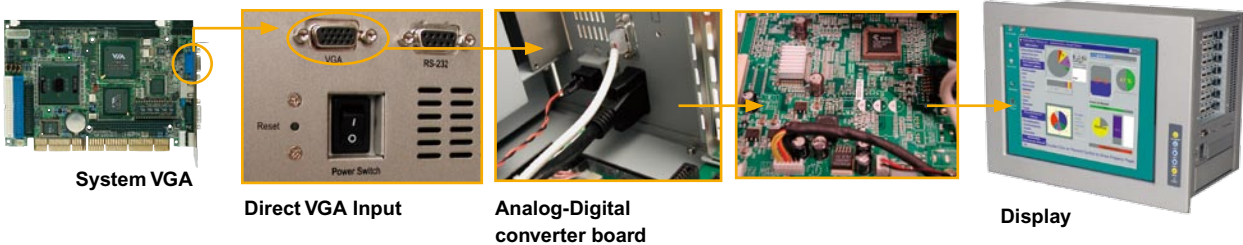
■ High brightness 50000 hrs MTBF long lifetime panel

Out-door applications are usually required by high brightness environments. The luminance will be reduced by touch screen to protection lens on the panel. The typical panels which are usually lower than 200 cd/m², MPC series use the high brightness panel (230 cd/m²) and have longer lifetime for more quality in above environment.



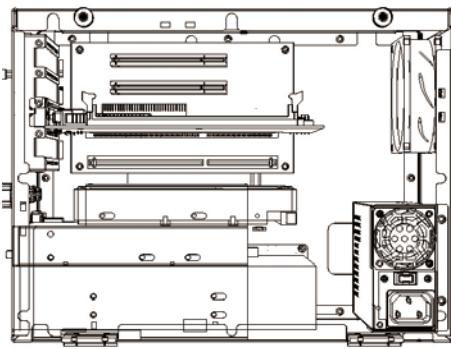
■ Analog VGA interface supports all CPU boards

Almost Slot SBC systems have video output with analog VGA but without LVDS or TTL direct LCD panel interface. MPC series equipped with analog-digital convert board to support most flexible SBC graphic compatibility.

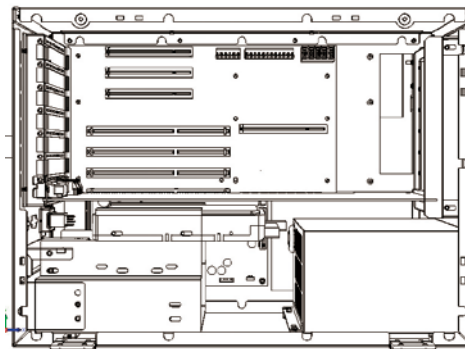


■ Slot SBC Solutions

Model	SBC form factor	Model	SBC form factor
MPC-50GS	PCI SBC	MPC-55GS	PICMG SBC
MPC-52GS	PCISA SBC	MPC-57GS	PIAGP SBC
	ISA SBC	MPC-59GS	Half-size SBC



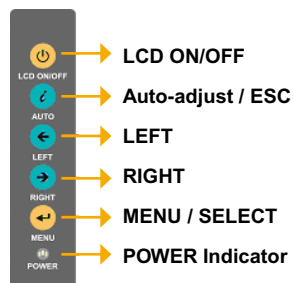
Half size SBC



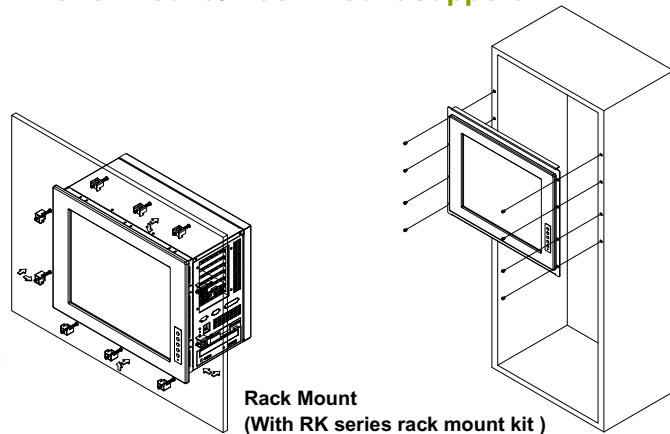
Full size SBC

■ Full OSD Function in the front panel

IEI MPC Series integrates full OSD function in the front panel, users can easily configure all monitor functions by the water proof OSD function keys. With the convenient function, user doesn't have to move the monitor or whole system to do the adjustment. The most benefits is using this OSD located in the front panel, user can change the brightness of LCD panel and extend the panel life.

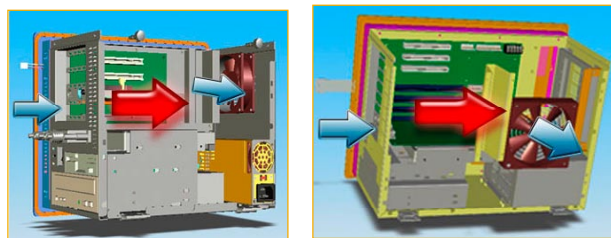


■ Panel mount / Rack mount support



■ Advanced thermal and air-flow design

Thermal condition is the most important issue of new generation IPCs. IEI's new "Single Way" design provides you higher system performance capability and more flexibility for the environment.

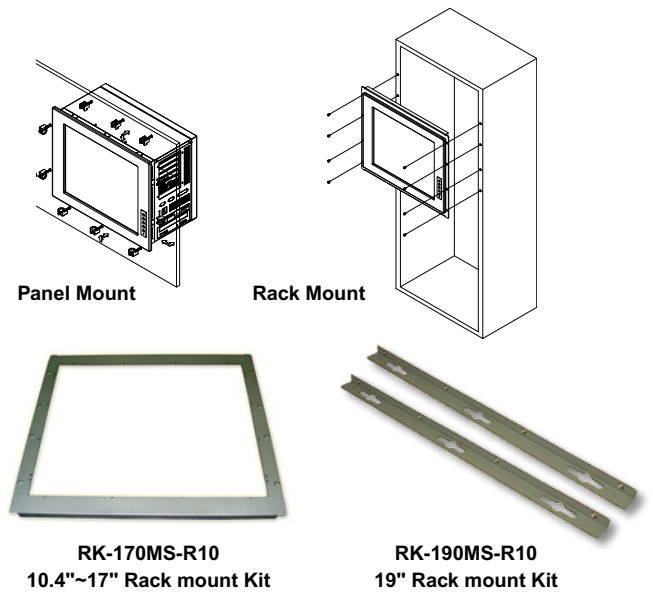
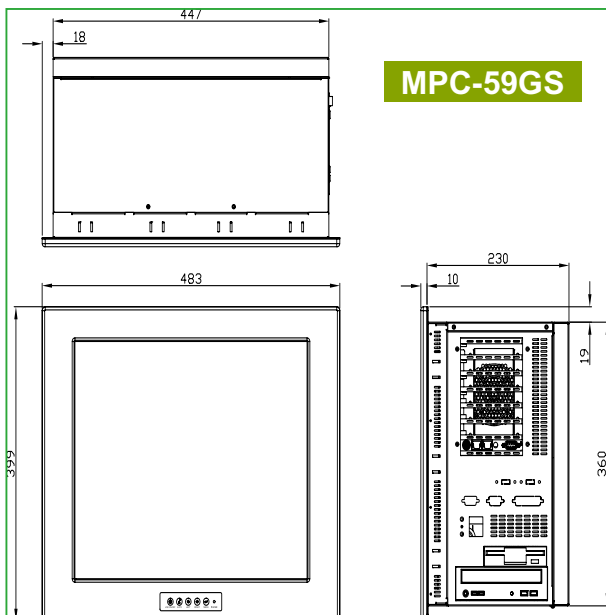
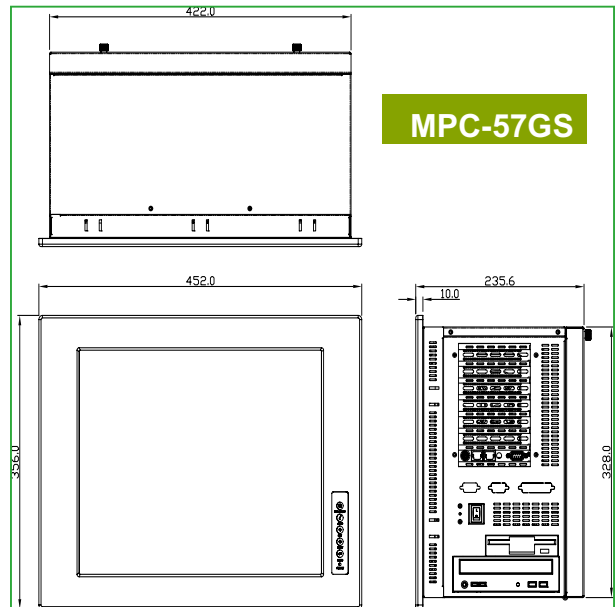
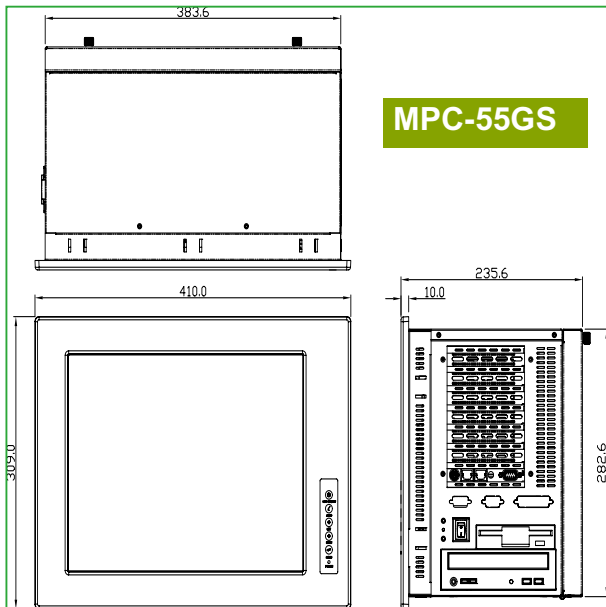
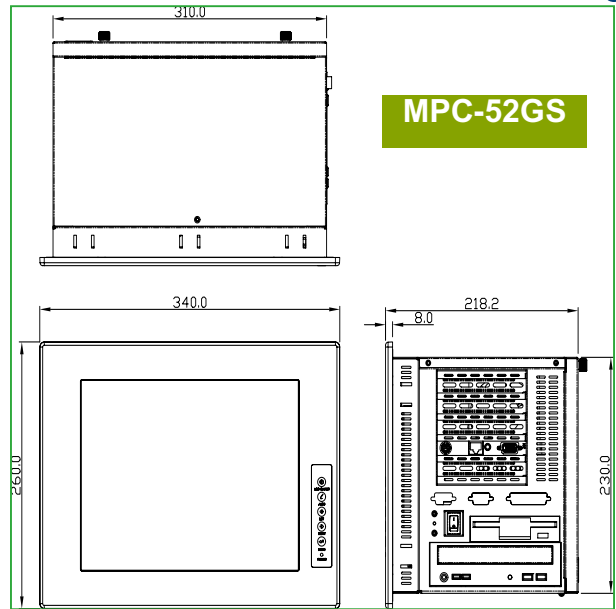
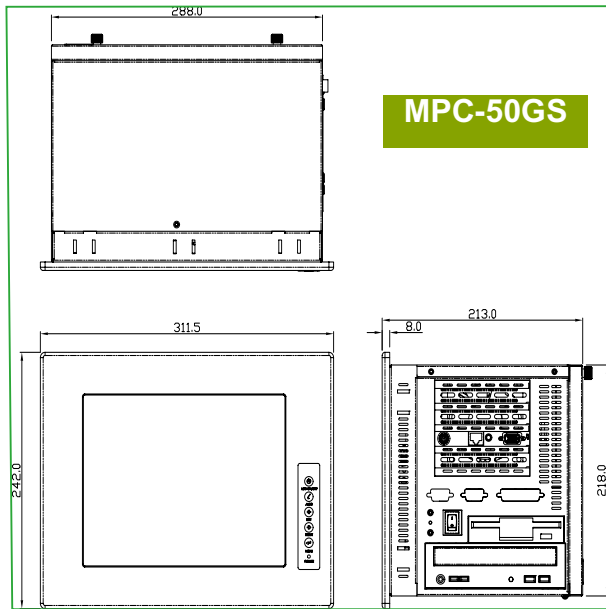


Industrial Mini-Workstation Selection Guide



	MPC-50GS	MPC-52GS	MPC-55GS	MPC-57GS	MPC-59GS
LCD Size	10.4"	12.1"	15"	17"	19"
Resolution	800*600	800*600	1024*768	1280*1024	1280*1024
Brightness (cd/m2)	230 / 400	400	350	300	300
Contrast	500:1	500:1	400:1	500:1	700:1
LCD color	262K	262K	262K	16.2M	16.2M
Backlight MTBF (Hours)	20000	50000	50000	50000	50000
Input Interface	Analog VGA (DB-15)				
Slot	4 slots	5 slots	7 slots	7 slots	7 slots
Form Factor	Half Size SBC		Full / Half Size SBC		
Mounting	Panel Mount / 19" Rack Mount				
Front Frame	Aluminum				
IP Level	IP65				
OSD	Yes				
HDD Drive Bay	1 x 3.5" HDD	1 x 3.5" HDD	1 x 3.5" HDD	1 x 3.5" HDD	1 x 3.5" HDD
CD-ROM Drive Bay	1 x 5.25" CD-ROM	1 x 5.25" CD-ROM	1 x 5.25" CD-ROM	1 x 5.25" CD-ROM	1 x 5.25" CD-ROM
FDD Bay	1 x 3.5 FDD	1 x 3.5 FDD	1 x 3.5 FDD	1 x 3.5 FDD	1 x 3.5 FDD
System Fan	8cm ball bearing 38 CFM fan				
Optional Touch Screen	5-wire resistive touch screen				
Vibration	5 ~ 17 Hz, 0.1" double amplitude displacement 17~640 Hz, 1.5G acceleration peak to peak				
Shock	10G acceleration peak to peak (11ms)				
Relative Humidity	5 ~ 95%, non-condensing				
Operating Temperature	0 ~ 50°C				
Color	Silver (PANTONE PMS-8001)				
Dimension (W x H x D) (mm)	312 x 242 x 213	340 x 260 x 218	410 x 309 x 236	452 x 356 x 236	483 x 399 x 240
Weight (NW / GW)	6.6 / 9.3 kg	7.2 / 9.9 kg	11.1 / 14.7 kg	14 / 17.8 kg	16.8 / 20.5 kg
Recommend Backplane	IP-4SA HPE-4S1 / 4S2	IP-5SA / IP-5SA2 HPE-5S1 / 5S2 HPE-5S3	PCI-7S IP-7S BP-7S PCIAGP-6S PE-6S / 7S / 7S2	PCI-7S PE-6S IP-7S PCIAGP-6S HPE-7S1 PE-7S / 7S2 / 10S	PCI-7S PE-6S IP-7S BP-7S PCIAGP-6S HPE-7S1 PE-7S / 7S2 / 10S
Power Supply	ACE-916A(AP)-RS (AT) ACE-4518AP-RS ACE-4520C-RS ACE-815C(T)-RS ACE-816A(AP)-RS		AT: ACE-925A(AP/AP-U/M)-RS ACE-932A-RS ACE-935AL-RS ACE-940AP-RS ATX: ACE-4860AP-RS ACE-828A(C/M/V)-RS ACE-832A(AP/AP-S)-RS ACE-840A-RS ACE-841AP-S-RS ACE-850AP-RS-24		

Dimensions



Ordering Information

10.4"

- **MPC-50GS**
10.4" 230cd/m² TFT LCD Industrial Panel PC, Aluminum Front, Silver Color, W/O PS, RoHS
- **MPC-50GS/T-R**
10.4" 230cd/m² TFT LCD Industrial Panel PC, Aluminum Front, Silver Color, W/O PS, W/10.4" Touch Screen, RoHS
- **MPC-50GS / 916AP**
10.4" 230cd/m² TFT LCD Industrial Panel PC, Aluminum Front, Silver Color, W/ACE-916AP
- **MPC-50GS / 916AP / T-R**
10.4" 230cd/m² TFT LCD Industrial Panel PC, Aluminum Front, Silver Color, W/ACE-916AP/10.4" Touch Screen
- **MPC-50GS / 816AP**
10.4" 230cd/m² TFT LCD Industrial Panel PC, Aluminum Front, Silver Color, W/ACE-816AP
- **MPC-50GS / 816AP / T-R**
10.4" 230cd/m² TFT LCD Industrial Panel PC, Aluminum Front, Silver Color, W/ACE-816AP/10.4" Touch Screen
- **MPC-50GHS**
10.4" 400cd/m² High Luminance TFT LCD Industrial Panel PC, Aluminum Front, Silver Color, W/O PS, RoHS
- **MPC-50GHS/T-R**
10.4" 400cd/m² High Luminance TFT LCD Industrial Panel PC, Aluminum Front, Silver Color, W/O PS, W/10.4" Touch Screen, RoHS
- **MPC-50GHS/916AP/T-R**
10.4" 400cd/m² High Luminance TFT LCD Industrial Panel PC, Aluminum Front, Silver Color, W/ACE-916AP/10.4" Touch Screen, RoHS
- **MPC-50GHS/916AP**
10.4" 400cd/m² High Luminance TFT LCD Industrial Panel PC, Aluminum Front, Silver Color, W/ACE-916AP, RoHS
- **MPC-50GHS/816AP/T-R**
10.4" 400cd/m² High Luminance TFT LCD Industrial Panel PC, Aluminum Front, Silver Color, W/ACE-816AP/10.4" Touch Screen, RoHS
- **MPC-50GHS/816AP**
10.4" 400cd/m² High Luminance TFT LCD Industrial Panel PC, Aluminum Front, Silver Color, W/ACE-816AP, RoHS

Option

RK-104MS-R10	MPC-104GS 6U Rack Mounting Kits
RK-121MS-R10	MPC-121GS 7U Rack Mounting Kits
RK-150MS-R10	MPC-150GS 8U Rack Mounting Kits
RK-170MS-R10	MPC-170GS 9U Rack Mounting Kits
RK-190MS-R10	MPC-190GS 9U Rack Mounting Kits

Packing information

Part Number	Description	Amount	Remark
32000-023200-RS	VGA Cable	1	
32000-000002-RS	Power Cable	1	Standard Packing, For Europe 32000-000004-RS For South Africa 32000-000022-RS For Australia 32000-000025-RS For America 32000-000026-RS For Switzerland
19600-000132-RS	Screw kits	1	
32000-025604-RS	RS-232 Cable / Touch Pen / Driver CD-ROM for Touch Screen		T-R model only
PK-104M, PK-121M, PK-150M, PK-170M, PK-190M	Panel Mounting kits	1	
	User Manual	1	

12.1"

- **MPC-52GS / 916AP**
12.1" 400cd/m² TFT LCD Industrial Panel PC, Aluminum Front, Silver Color, W/ACE-916AP
- **MPC-52GS / 916AP / T-R**
12.1" 400cd/m² TFT LCD Industrial Panel PC, Aluminum Front, Silver Color, W/ACE-916AP/12.1" Touch Screen
- **MPC-52GS / 816AP**
12.1" 400cd/m² TFT LCD Industrial Panel PC, Aluminum Front, Silver
- **MPC-52GS / 816AP / T-R**
12.1" 400cd/m² TFT LCD Industrial Panel PC, Aluminum Front, Silver Color, W/ACE-816AP/12.1" Touch Screen

15"

- **MPC-55GS / 832AP**
15" 350cd/m² TFT LCD Industrial Panel PC, Aluminum Front, Silver Color, W/ACE-832AP
- **MPC-55GS / 832AP / T-R**
15" 350cd/m² TFT LCD Industrial Panel PC, Aluminum Front, Silver Color, W/ACE-832AP/15" Touch Screen

17"

- **MPC-57GS / 832AP**
17" 300cd/m² TFT LCD Industrial Panel PC, Aluminum Front, Silver Color, W/ACE-832AP
- **MPC-57GS / 832AP / T-R**
17" 300cd/m² TFT LCD Industrial Panel PC, Aluminum Front, Silver Color, W/ACE-832AP/17" Touch Screen

19"

- **MPC-59GS / 832AP**
19" 300cd/m² TFT LCD Industrial Panel PC, Aluminum Front, Silver Color, W/ACE-832AP
- **MPC-59GS / 832AP / T-R**
19" 300cd/m² TFT LCD Industrial Panel PC, Aluminum Front, Silver Color, W/ACE-832AP/19" Touch Screen

MPC Series Standard Packing

