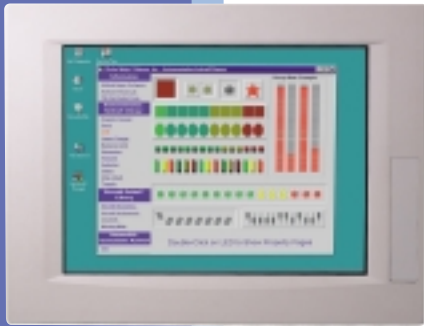


PPC-1210/1212

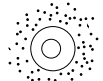
12.1" TFT LCD Panel PC

Aluminum Front Panel Version Available!

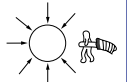
Fanless Design



Protected against dust (no harmful deposit)



Protected against jets of water from all directions



Aluminum front panel is the best choice for severe environment. Plastic front panel provides a light and economical solution.

Option PCMCIA Module for WLAN Appliance

Front Panel meet NEMA4/IP65 standard

SPECIFICATIONS

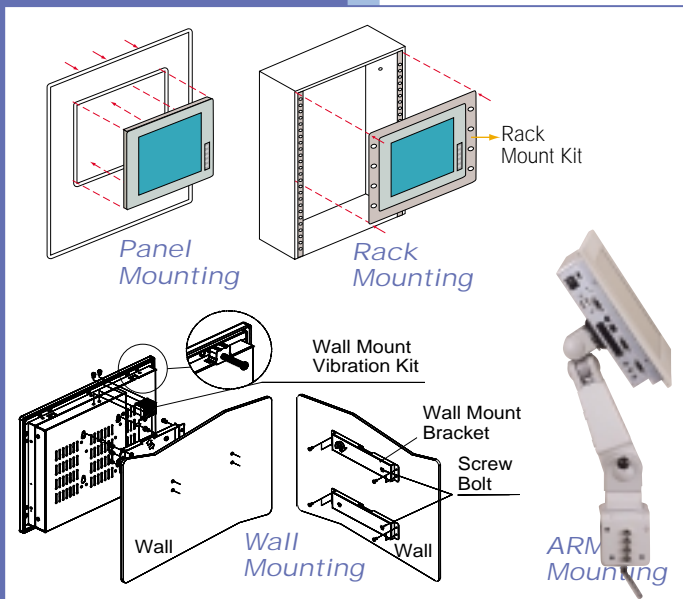
- **Thin Depth (70mm) and no cooling fan design**
- **PPC-1210** Equipped with Wafer-5822 (NS GX-1 Embedded Compact Board)
- **PPC-1212** Equipped with Wafer-6820 (Transmeta Crusoe Embedded Compact Board)
- **Aluminum/Plastic made front panel, meet NEMA4 or IP65 standard**
- **12.1" high brightness TFT LCD.**
Resolution: 800x600
Brightness: 250 cd/m²
LCD MTBF: 50000 hrs
Backlight MTBF: 30000hrs
- **One 2.5" Internal HDD drive bay**
- **External power adaptor (+5V: 4A and +12V: 1.5A)**
- **Support Panel/Arm/Wall/Rack Mounting feature**
- **I/O:** 1x LAN; 2x RS-232; 2 x USB; 1x VGA; 1x PS/2 and 1x Audio (in/ out/MIC)
- **Operation Temp:** 0-50°C
- **Relative Humidity:** 5-95%, non-condensing.
- **Vibration:**
5-17 Hz, 0.1" double amplitude displacement
17-640 Hz, 1.5G acceleration peak to peak.
- **Shock:** 10G acceleration peak to peak. (11ms)
- **Color:** Dark Blue (Pantone-433C), White (Pantone-413C)
- **Option:** Touch screen, Rack mount kit
PM-1038 2 slot PCMCIA PC/104 module
- **Net/GW:** 2/5 (kg)



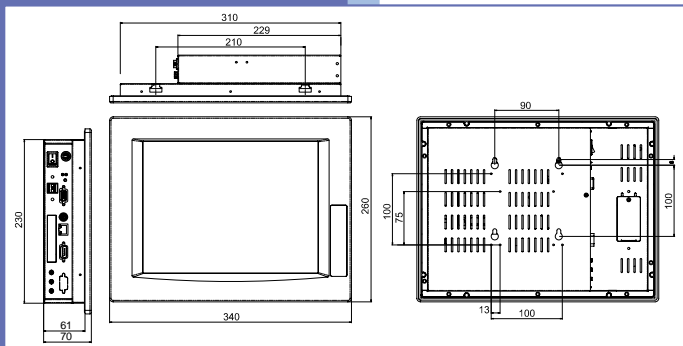
Wafer-5822



Wafer-6820



Dimensions



Contact us for other Wafer series products

ORDERING INFORMATION

- **PPC-1210 C /Wafer-5822/128MB**
12.1" plastic made front panel PC with Wafer-5822/128MB SBC
- **PPC-1210AL C /Wafer-5822/128MB**
12.1" aluminum made front panel PC with Wafer-5822/128MB SBC
- **PPC-1212 C /Wafer-6820-400/SDM-128SD-100-A**
12.1" plastic made front panel PC with Wafer-6820-400/128MB SBC
- **PPC-1212AL C /Wafer-6820-400/SDM-128SD-100-A**
12.1" aluminum made front panel PC with Wafer-6820-400/128MB SBC
- **PPC-1212 C /Wafer-6820-600/SDM-128SD-100-A**
12.1" plastic made front panel PC with Wafer-6820-600/128MB SBC
- **PPC-1212AL C /Wafer-6820-600/SDM-128SD-100-A**
12.1" aluminum made front panel PC with Wafer-6820-600/128MB SBC
- **PPC-1212 C /Wafer-6820-667/SDM-128SD-100-A**
12.1" plastic made front panel PC with Wafer-6820-667/128MB SBC
- **PPC-1212AL C /Wafer-6820-667/SDM-128SD-100-A**
12.1" aluminum made front panel PC with Wafer-6820-667/128MB SBC

C : Color Code : D : Dark Blue (Pantone-433C) ; W : White (Pantone-413C)
Option: Touch Screen - T-R121B (12.1" Resistive type touch screen)
 - T-C121 (12.1" Capacity type touch screen)
 PM-1038- 2 slot PCMCIA PC/104 module
 RK-121-Rack mount kit
 ARM-11- flat panel monitor arm