

Workstation Series



10.4" ~ 19" IP64 Waterproof Workstation Robust, Shock Resistance and OSD Function



Features

- Compact die-cast aluminum front panel and integrated LCD back frame
- New robust chassis and retention kit structure for shock and vibration
- Front panel, membrane keys, mouse pad and drive-bay enclosure meet IP64 standard for tough environment
- Full function membrane keys and submerged OSD controller
- Advanced thermal and air-flow design
- Analog VGA interface supports all CPU boards

WS Advance Features

- IP64 Waterproof front panel, membrane keys, mouse pad & drive-bay

IP (International Protection) stands for every kind of protection against accidental contacts of foreign bodies and against water.

First digit (0-6) - it stands for the kind of protection against accidental contacts of foreign bodies.

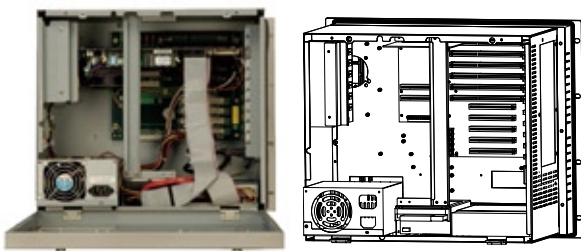
Second digit (0-8) - it stands for the kind of protection against water.



Water Proof key lock and drive bay cover

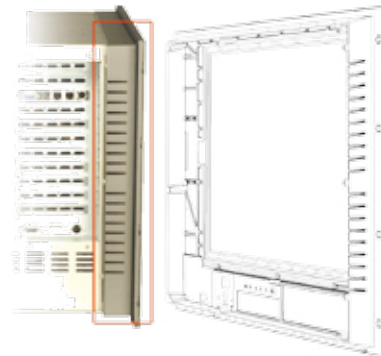
- New robust chassis and retention kit structure to against shock and vibration

After thousands tests, we choose "Rigidity" as our new design center rule. Every parts run at "One component", "Less joint and connection" method to enhance the shock and vibration sustainability.



- Compact die-cast aluminum front panel and integrated LCD back frame

Rack or wall mount systems always apply the whole system weight on the front bezel and LCD container. One piece design has higher strength and lighter weight combined in aluminum die-casting structure.

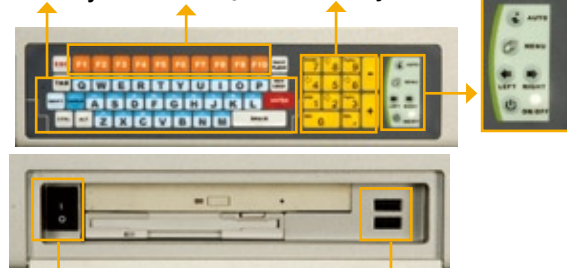


- Full function membrane keys & submerged OSD controller

(WS-895GS)

Alphabet Keys Function Keys Number Keys

OSD Function Keys



AT / ATX Power

USB Connectors

■ Enhanced Thermal Management

IEI Workstation System fan and HDD cooling help the system thermal under control and extends system product life in high temperature working environment.



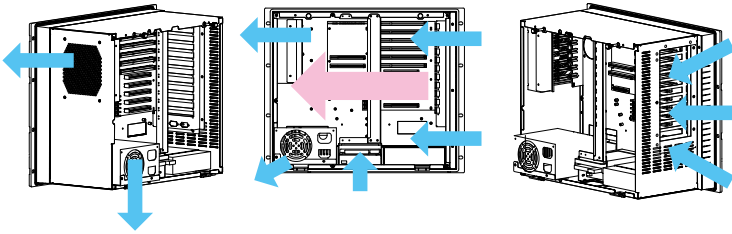
Enhance system air flow



HDD cooling window

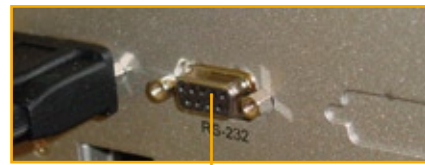
■ Advanced thermal and air-flow design

Thermal condition is the most important issue of new generation IPCs. IEI's new "Single way" design provides you higher system performance capability and more flexibility for the environment.



■ Optional RS-232 interface touch screen

WS series provide RS-232 reserved port for touch screen. IEI Workstation provides T-R model with high strength Fiber Glass Touch Screen applications.



Optional RS-232 port

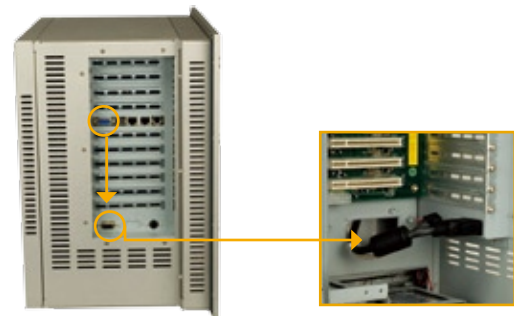
■ Complete Drive support

5.25", 3.5", and FDD drive bay options offer all kind of applications demand. User can easily integrate every size of media drive for their needs.



■ Analog VGA interface supports all CPU boards

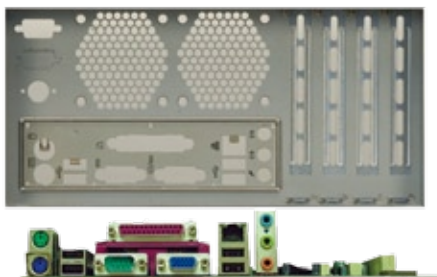
Analog VGA is the most popular interface among slot SBC system graphic output interfaces. Analog interface could reduce compatibility issues of digital panel interface like LVDS or TTL.



Direct VGA Input

■ Slot SBC and m-ATX motherboard dual supports m-ATX Solutions (Only WS-855GS / 875GS / 895GS)

Micro ATX motherboard is the most popular form factor in PC applications. New IEI Workstation series support m-ATX size motherboard by -ATX version and enrich your system flexibilities and benefits.



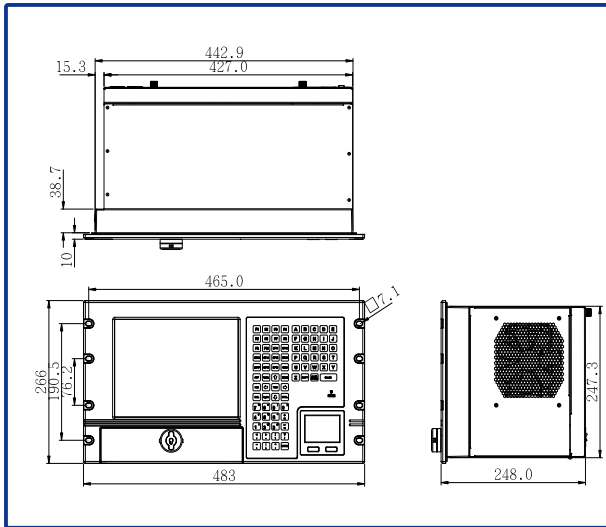
Industrial Workstation Selection Guide



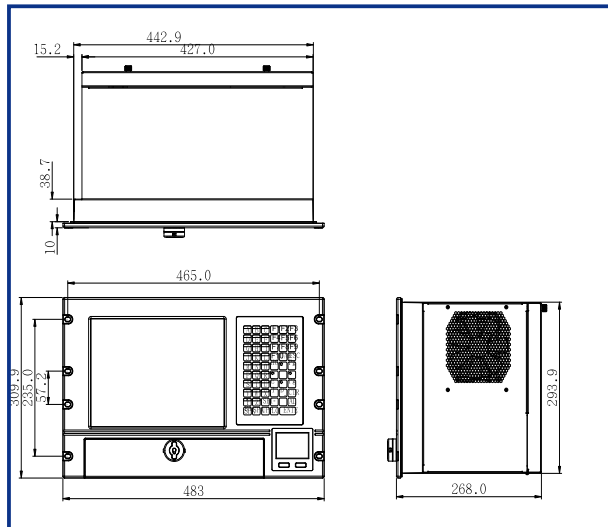
	WS-612GS	WS-843GS	WS-855GS	WS-875GS	WS-895GS
LCD Size	10.4"	12.1"	15"	17"	19"
Resolution	800*600	800*600	1024*768	1280*1024	1280*1024
Brightness (cd/m2)	230 / 400	400	350	300	300
Contrast	500:1	500:1	400:1	500:1	700:1
LCD color	262K	262K	262K	16.2M	16.2M
Backlight Hours	20000	50000	50000	50000	50000
Input Interface	Analog VGA (DB-15)				
Slot	7 slots	10 slots	10 slots / MB	10 slots / MB	10 slots / MB
Form Factor	Full / Half Size SBC		Full / Half Size SBC / m-ATX Motherboard		
Mounting	19" Rack Mount				
Rack Height	6U	7U	8U	9U	9U
Front Frame	Aluminum				
IP Level	IP64				
KeyPad	63 Keys	59 Keys	59 Keys	59 Keys	59 Keys
Function Key	20 Keys	10 Keys	10 Keys	10 Keys	10 Keys
Touch Pad	Yes				NO
Front Panel USB	4	2	2	2	2
HDD Drive Bay	1 x 3.5" HDD	1 x 3.5" HDD	1 x 3.5" HDD	1 x 3.5" HDD	1 x 3.5" HDD
CD-ROM Drive Bay	N/A	1 x 5.25" CD-ROM	1 x 5.25" CD-ROM	1 x 5.25" CD-ROM	1 x Slim Type CD-ROM
FDD Bay	1 x 3.5" FDD	1 x 3.5" FDD	1 x 3.5" FDD	1 x 3.5" FDD	1 x 3.5" Slim Type FDD
System Fan	12cm ball bearing 99.6 CFM fan				
Touch Screen	5-wire resistive touch screen				
Vibration	5 ~ 17 Hz, 0.1" double amplitude displacement 17~640 Hz, 1.5G acceleration peak to peak				
Shock	10G acceleration peak to peak (11ms)				
Relative Humidity	5 ~ 95%, non-condensing				
Operating Temperature	0°C ~ 50°C				
Color	Silver (PANTONE PMS-8001)				
Dimension (W x H x D)(mm)	483 x 266 x 248	483 x 310 x 268	483 x 353 x 261	483 x 398 x 268	483 x 398 x 269
Weight (NW / GW)	9.2 / 14.4 kg	10.7 / 17.2 kg	12 / 18.2 kg	14.2 / 20.6 kg	15.5 / 22 kg
Recommand Backplane	PCI-7S, IP-7S, BP-7S, PCIAGP-6S, HPE-7S1, PE-6S/7S, PE-7S2	PCI-10S/10S2, PX-10S, PE-10S, IP-10S, IPX-9S, BP-10S, HPE-7S1/8S, PE-6S / 7S / 7S2 / 8S / 9S / 10S			
Recommand m-ATX MB	IMB-9454, IMB-9452, IMB-8550, IMB-9154				
Power Supply	ACE-916A(AP)-RS (AT), ACE-4518AP-RS, ACE-4520C-RS, ACE-4525AP-RS, ACE-815C(T)-RS, ACE-816A(AP)-RS,	AT: ACE-925A(AP/AP-U/M)-RS, ACE-932A-RS, ACE-935AL-RS, ACE-940AP-RS, ATX: ACE-4860AP-RS, ACE-828A(C/M/V)-RS, ACE-832A(AP/AP-S)-RS, ACE-840A-RS, ACE-841AP-S-RS, ACE-850AP-RS-24,			

Dimensions

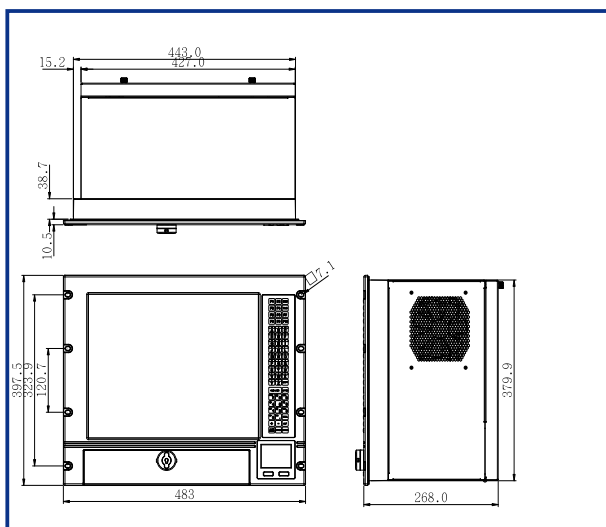
WS-612GS



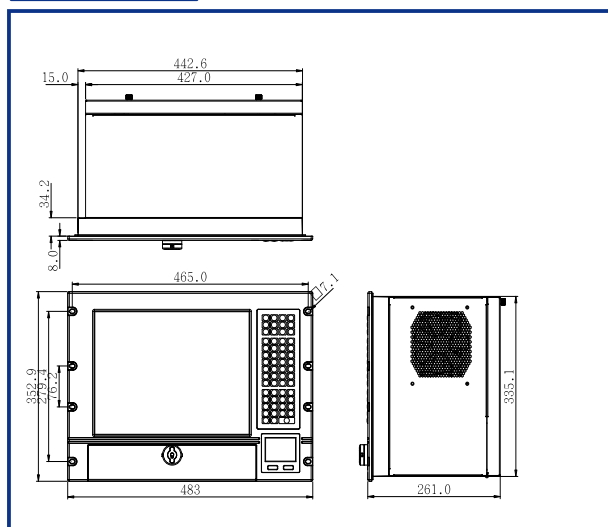
WS-843GS



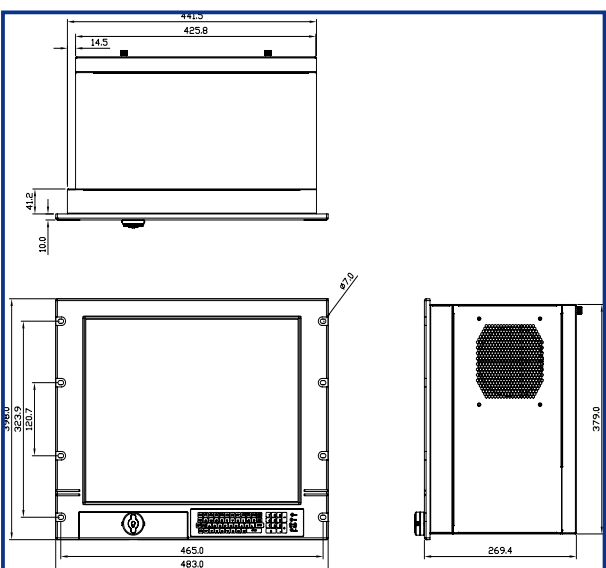
WS-875GS



WS-855GS



WS-895GS



WS Series Standard Packing



Ordering Information

10.4"

- **WS-612GS**
6U,10.4" 230cd/m² LCD 8-Slot Industrial Workstation,Aluminum Front,Silver Color,RoHS
- **WS-612GS / 4525AP**
6U,10.4" 230cd/m² LCD 8-Slot Industrial Workstation,Aluminum Front,Silver Color,W/ACE-4525AP,RoHS
- **WS-612GS / 4525AP / T-R**
6U,10.4" 230cd/m² LCD 8-Slot Industrial Workstation,Aluminum Front,Silver Color,W/ACE-4525AP,W/10.4" Touch Screen,RoHS
- **WS-612GS/T-R**
6U,10.4" 230cd/m² LCD 8-Slot Industrial Workstation,Aluminum Front,Silver Color,10.4" Touch Screen,RoHS
- **WS-612GHS**
6U, 10.4" 400cd/m² High Luminance LCD 8-Slot Industrial Workstation,Aluminum Front,Silver Color,W/O PS,,RoHS
- **WS-612GHS/4525AP**
6U,10.4" 400cd/m² High Luminance LCD 8-Slot Industrial Workstation,Aluminum Front,Silver Color,W/ACE-4525AP,RoHS
- **WS-612GHS/T-R**
6U,10.4" 400cd/m² High Luminance LCD 8-Slot Industrial Workstation,Aluminum Front,Silver Color,W/O PS,W/10.4" Touch Screen,RoHS
- **WS-612GHS/4525AP/T-R**
6U,10.4" 400cd/m² High Luminance LCD 8-Slot Industrial Workstation,Aluminum Front,Silver Color,W/ACE-4525AP/10.4" Touch Screen,RoHS

12.1"

- **WS-843GS**
7U,12.1" 400cd/m² LCD 10-Slot Industrial Workstation,Aluminum Front,Silver Color,W/O PS,,RoHS
- **WS-843GS/832AP**
7U,12.1" 400cd/m² LCD 10-Slot Industrial Workstation,Aluminum Front,Silver Color,W/ACE-832AP,,RoHS
- **WS-843GS/T-R**
7U,12.1" 400cd/m² LCD 10-Slot Industrial Workstation,Aluminum Front,Silver Color,W/O PS,W/12.1" Touch Screen,RoHS
- **WS-843GS/832AP/T-R**
7U,12.1" 400cd/m² LCD 10-Slot Industrial Workstation,Aluminum Front,Silver Color,W/ACE-832AP/12.1" Touch Screen,RoHS

15"

- **WS-855GS**
8U,15" 350cd/m² LCD 10-Slot Industrial Workstation,Aluminum Front,Silver Color,W/O PS,,RoHS
- **WS-855GS / 832AP**
8U 15" 350cd/m² LCD 10-Slot workstation with ACE-832AP-RS 300W ATX with PFC power supply
- **WS-855GS/T-R**
8U,15" 350cd/m² LCD 10-Slot Industrial Workstation,Aluminum Front,Silver Color,W/O PS,W/15" Touch Screen,RoHS
- **WS-855GS / 832AP / T-R**
8U 15" 350cd/m² LCD 10-slot workstation with ACE-832AP-RS 300W ATX with PFC power supply and 15" resistive touch screen

- **WS-855GSATX**
8U,15" 350cd/m² LCD m-ATX Industrial Workstation,Aluminum Front,Silver Color,W/O PS,,RoHS
- **WS-855GSATX / 832AP**
8U m-ATX 15" 350cd/m² LCD workstation with ACE-832AP-RS 300W ATX with PFC power supply, M-ATX version
- **WS-855GSATX / 832AP / T-R**
8U m-ATX 15" 350cd/m² LCD workstation with ACE-832AP-RS 300W ATX with PFC power supply and 15" resistive touch screen, M-ATX version

- **WS-875GS**
9U,17" 300cd/m² LCD 10-Slot Industrial Workstation,Aluminum Front,Silver Color,W/O PS,,RoHS
- **WS-875GS / 832AP**
9U, 17" 300cd/m² LCD workstation with ACE-832AP-RS 300W ATX with PFC power supply
- **WS-875GS/T-R**
9U,17" 300cd/m² LCD 10-Slot Industrial Workstation,Aluminum Front,Silver Color,W/O PS,W/17" Touch Screen,RoHS
- **WS-875GS / 832AP/T-R**
9U, 17" 300cd/m² TFT LCD workstation with ACE-832AP-RS 300W ATX with PFC power supply and 17" resistive touch screen
- **WS-875GSATX**
9U,17" 300cd/m² LCD m-ATX Industrial Workstation,Aluminum Front,Silver Color,W/O PS,,RoHS
- **WS-875GSATX / 832AP**
9U,17" 300cd/m² LCD workstation with ACE-832AP-RS 300W ATX with PFC power supply, M-ATX version
- **WS-875GSATX / 832AP / T-R**
9U,17" 300cd/m² LCD workstation with ACE-832AP-RS 300W ATX with PFC power supply and 17" resistive touch screen, M-ATX version

17"

- **WS-895GS**
9U 10-Slot 19" 300cd/m² TFT LCD Industrial Workstation,Aluminum Front,Silver Color,W/O PS,,RoHS
- **WS-895GS / 832AP**
9U 10-slot 19" 300cd/m² TFT LCD workstation with ACE-832AP-RS 300W ATX with PFC power supply
- **WS-895GS / 832AP / T-R**
9U 10-slot 19" 300cd/m² TFT LCD workstation with ACE-832AP-RS 300W ATX with PFC power supply and 19" resistive touch screen
- **WS-895GSATX**
9U m-ATX 19" TFT 300cd/m² LCD Industrial Workstation,Aluminum Front,Silver Color,W/O PS,,RoHS
- **WS-895GSATX / 832AP**
9U 10-slot 19" 300cd/m² TFT LCD workstation with ACE-832AP-RS 300W ATX with PFC power supply, M-ATX version
- **WS-895GSATX / 832AP / T-R**
9U 10-slot 19" 300cd/m² TFT LCD workstation with ACE-832AP-RS 300W ATX with PFC power supply and 19" resistive touch screen, M-ATX version

19"

Packing information

Part Number	Description	Amount	Remark
32000-000002-RS	AC Power Cable	1	Standard Packing, For Europe 32000-000004-RS For South Africa 32000-000022-RS For Australia 32000-000025-RS For America 32000-000026-RS For Switzerland
32000-023200-RS	VGA Cable	1	
32100-034801-RS	PS_ON Cable for ATX signal	1	
41015-0003C0-00-RS	Press Stick Kit (Long)	4	
41015-0004C0-00-RS	Press Stick Kit (Short)	3	
47001-000101-RS	Press Stick Rubber	7	
	User Manual	1	
32000-075000-RS	KeyPad / MousePad PS/2 Cable	1	For SBC models
32000-078400-RS	KeyPad / MousePad PS/2 Cable	1	For m-ATX (Motherboards) models
32000-000050-RS	RS-232 Cable / Touch Pen / Driver CD-ROM for Touch Screen	1	For T-R models