



# IVC-120G 16 Channels Video Capture Card

## with GPIO module

The most cost-saving frame grabber

**NEW**

IVC-120G is an improved model of IVC-100G. With 4 multiplexers, IVC-120G can solve the problem of frame shaking upwards & downwards. It also provides a lot amounts of video input channels ( 16 channels ).

### Features:

#### **Pain-free extension for multi-card system:**

When starting out with a DVR system, it can be surprising just what level of growth your surveillance system will reach. By choosing the IVC-120G, you can expand your surveillance area with no extra reconfiguration of your DVR system. As long as you have a free extension slot for accommodating new cards, you can easily add more eyes watching wherever you most need them.

#### **Smart ID number for easy system**

##### **maintenance:**

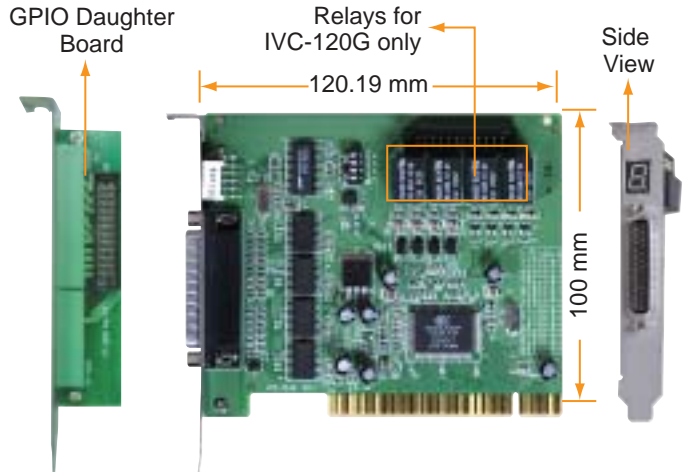
With an LED attached to each IVC-120G, you can assign a unique number to each card in your DVR system with which to associate the surveillance area. Should something go wrong in a specific area, you can easily check out the system and replace it with a new card.

#### **General Purpose Input Out (GPIO)**

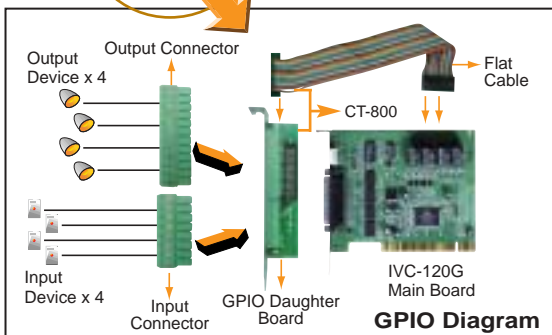
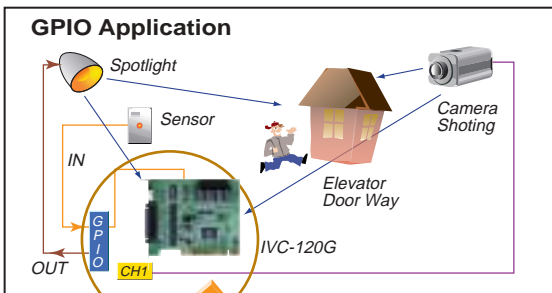
The GPIO connector allows users to connect external I/O devices such as a sensor, light, alarm, switch, etc.... for any kind of external control that may be required.

#### **GPIO Application**

For example, you can control the spotlight over a doorway at nighttime via the GPIO connection whenever the motion detector has been triggered. Then you don't have to worry about the recording quality when someone intrude the surveillance area at night time.



■ Please note that IVC-120 do not have GPIO module and have no relay on board



The connection points of each output device are common, normal open (NO), normal closed (NC).  
The connection points of each input device are input voltage and ground.

### Technical Specification - IVC-120G

#### **Hardware**

- Function
  - PCI Single Universal Board
  - Plug and Play, 16 channel video capture card
- Analog Video Capture Engine
  - Conexant Fusion™ 878A
  - NTSC/ PAL/ SECAM Video Decoding

#### **Input/Output Interface**

- Video Input : pin connector for 16 channels BNC Connector
- Video Output : One channel Video Output selected from the driver
- GPIO: 4 inputs and 4 outputs (use CT-800 GPIO daughter board)

#### **Functionality Support**

- Multiple Video Resolution
  - NTSC (720x480, 704x480, 640x480, 352x240, 320x240, 176x112)

- PAL (720x576, 704x576, 640x576, 352x288, 320x288, 176x144)

- Capture Frame Rate — Max 30 FPS for 16 channels
- Support Video Loss Detection
- Multi-screen support
- Support resolution adjustment
- Support image brightness, contrast, and saturation adjustment
- LED for card ID configuration and identification

#### **Software Support**

- Provide WDM driver and SDK for developer

#### **Supporting OS**

- Window 98 SE, ME, 2000, XP

#### **Others**

- Power Consumption: 3.5W@5V
- Operating Temperature: 0~ 50°C
- Board Size: 120.19mm x 100mm

### Ordering Information

IVC-120 : 16 channels video Capture Card  
IVC-120G : 16 channels video Capture Card with GPIO module.