

PPC-5020/5022

12.1" High Brightness TFT
LCD Panel PC

Heavy-Duty Stainless Steel



PPC-5020

Removable
3.5" HDD
Drive Bay
for PPC-5020



PPC-5022

Slim type
FDD, CD-Rom
Drive Bay

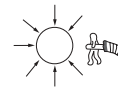
Main Features:

- Both the back case and chassis are made of stainless steel, which provides the whole system an extra robust structure for stringent environment and no need of painting for surface protection.
- The built-in speakers offer a voice-enabling ability of this system to apply in many fields like kiosk, telecommunication systems, etc.
- The removable hard drive can be easily swapped and saving you valuable time.
- Offer a NEMA 4/IP65 front panel making wet, dirty, and harsh environment no problem.
- Offer multi-mounting functions including panel, wall, rack, and VESA standard arm mountable support.
- The panel provides high brightness for outdoor applications.

Protected
against dust
(no harmful
deposit)

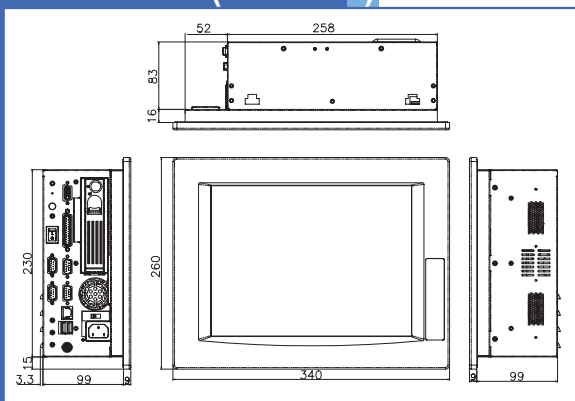


Protected
against jets
of water from
all directions

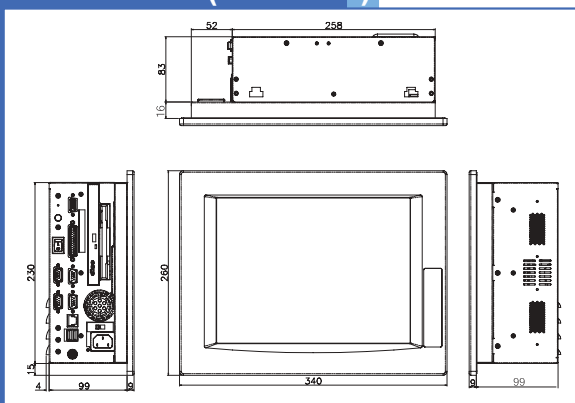


Front Panel meets NEMA4/IP65 standard

Dimensions : (PPC-5020)



Dimensions : (PPC-5022)



SPECIFICATIONS

- Aluminum / plastic front panel, meets NEMA 4 / IP65 standard
- Heavy-Duty stainless steel chassis
- Equipped with POS-370 or POS-566 or POS-EDEN-400-64MB full function SBC
- Equipped with cooling fan and speaker
- Drive Bays:**
PPC 5020- 1 x 3.5" removable HDD for IDE drive bay
PPC 5022- 2 x 2.5" HDD, 1 x 3.5" Slim type FDD, 1 x slim type CD-ROM drive bay
- Support panel, wall, rack mountable and VESA standard Arm mountable
- 12.1" high brightness TFT LCD**
 - Resolution: 800 x 600
 - Brightness: 340 cd/m²
 - LCD MTBF: 50000 hrs
 - Backlight MTBF: 30000 hrs
- Equipped with ACE-816APS 150W with PFC Power Supply.
- Color:** Dark Blue (Pantone 433C) or White (Pantone 413C)
- Dimension:** 340(W) x 260(H) x 108(D) mm
- Operation Temperature:** 0 ~ 50°C
- Relative Humidity:** 5-95%, non-condensing.
- Vibration:** 5-17Hz, 0.1" double amplitude displacement
17 ~ 640 Hz, 1.5G acceleration peak to peak
- Shock:** 10G acceleration peak to peak (11ms).
- Optional T-R121B Resistive or T-C121 Capacitive Touch Screen and RK-121 rack mounting kit
- Net/GW:** PPC-5020:7/8.5 (kg) PPC-5022:7.5/9 (kg)

ORDERING INFORMATION

Model	SBC	Power Supply	Touch Screen
PPC-5022 C - M	E400-64MB(POS-EDEN-400-64MB) 370N (POS-370N) 370R (POS-370R)	816APS (ACE-816APS)	T-R (T-R121B) T-C (T-C121)
PPC-5020 C - M-R2	566 (POS-566)		

C : Color Code D : Dark Blue (Pantone 433C), W : White (Pantone 413C)

M : Front Panel Material Code AL: Aluminum, None: Plastic

Option: RK-121 - Rack Mounting Kit ARM-31 - Loading capacity from 7 to 14 kg

Note: PPC-5020/5022 series plastic front panel are not suitable for capacitive touch screen

Products	PPC-5020	PPC-5022
HDD Drive Bay	1 x 3.5" removable	2 x 2.5" internal
FDD Drive Bay	N/A	1 x 3.5" slim type
CD-ROM Drive Bay	N/A	1 x slim type
Dimensions	(W x H x D) 340 x 260 x 108 mm	