

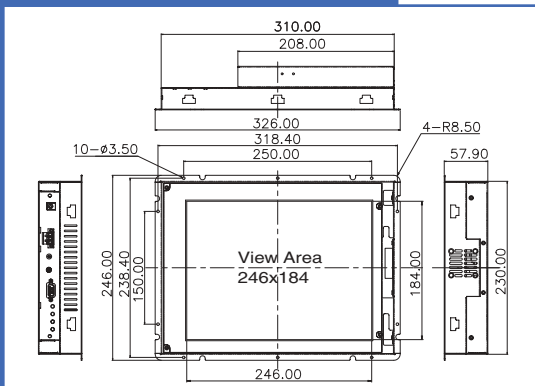
SRM-KIT 05A/07A/09A

12.1", 15", 17" Sun Readable
LCD Kit

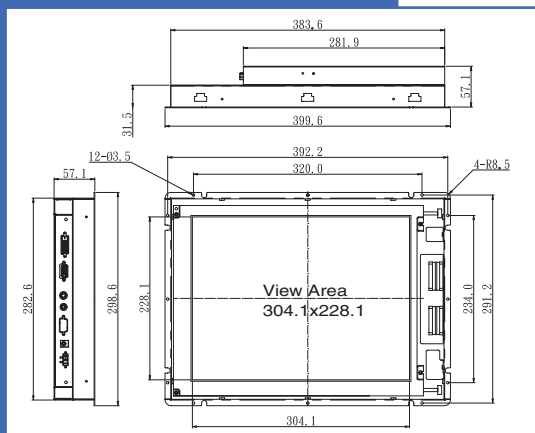
First-class integrated solution
for outdoors application!!

NEW

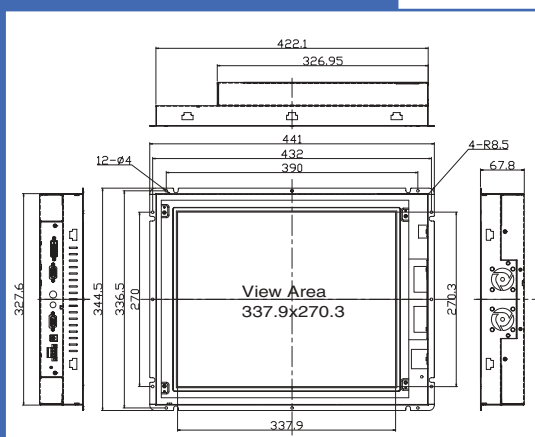
Dimensions:
(SRM-KIT05A)



Dimensions:
(SRM-KIT07A)



Dimensions:
(SRM-KIT09A)



SRM-KIT-05A



SRM-KIT-07A



SRM-KIT-09A



Ship with auto dimming
kit for system integrated
application



Ship with VGA cable and
power adapter

SPECIFICATIONS

- SRM LCD Display Kits are with the Sun-Readable Ultra High Brightness LCD which is best suitable outdoor use.
- Side cabling design reduces the LCD kit's total thickness.
- Ship with Power Adapter for 90V~264V AC input
SRM-KIT05A/ 07A: 63PSA65U120-000 (+12V@5A)
SRM-KIT09A: 63SPU65105-000 (+12V@6.66A)
- OSD control keys to adjust the best display quality (on the rear side)
- VGA signal input with convert board
- Ship with auto-dimming kit, display brightness could be adjusted to light source automatically .

Model	SRM-KIT05A	SRM-KIT07A	SRM-KIT09A
LCD Type	12.1" TFT	15" TFT	17" TFT
Resolution	800x600	1024 x 768	1280x1024
Max. Colors	18bit	36 bits	36bit
Brightness	1308cd/m ²	1750cd/m ²	700cd/m ²
LCD MTBF	50000 hrs	50000 hrs	50000 hrs
Backlight MTBF	30000 hrs	30000 hrs	30000 hrs
VGA Input Interface	VGA	VGA+DVI	VGA+DVI
Storage Temp.	-20~60°C	-20~60°C	-20~60°C
Optional Temp.	0~40°C	0~40°C	0~40°C
Net/GW (kg)	3/7	4/8.2	7/11
Video Input I/F	DB15	DB15, DVI-I	DB15, DVI-I
Power Input Rating	12V DC	12V DC/24V DC	12V DC/24V DC

ORDERING INFORMATION

- SRM-KIT05A VGA Input 12.1" Sun Readable LCD kit
- SRM-KIT07A VGA Input 15" Sun Readable LCD kit
- SRM-KIT09A VGA Input 17" Sun Readable LCD kit
- CB-DVI-D: DVI-D (M) to DVI-D (M) single link cable for 15", 17" SRM Kit model

Note: Contact supplier for video input function