

# Wafer-4821/4823

## 3.5" Disk Size 486DX4-100 Embedded Board With 10Mbps Ethernet, LCD/CRT VGA & CPU



Wafer-4821

**+5V  
Only**



Wafer-4823

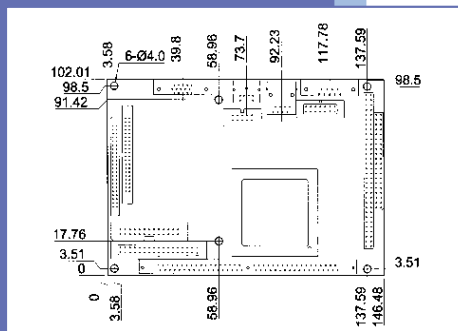
**4.COM**

**LCD/CRT  
Display**

### SPECIFICATIONS

- **CPU** : 486DX4-100 CPU on board, embedded in ACC Maple chipset
- **BIOS** : AMI Flash BIOS
- **System Chipset** : ACC Maple
- **System Memory** :
  - WAFER-4821 : One 72-pin SIMM socket up to 32MB EDO RAM or 4MB EDO RAM on board for OEM requirement
  - WAFER-4823 : One 72-pin SIMM socket up to 32MB EDO RAM
- **Display** : (WAFER-4823)
  - Chip : HM86508 LCD/CRT VGA
  - Bus : ISA
  - V-RAM : 1MB EDO RAM
  - Resolution : LCD: 800 x 600 CRT: 1024 x 768
  - Connectors : DB-15 for CRT display 44-pin pin-header for LCD panel
- **Ethernet** : Realtek RTL8019 10Mbps Ethernet chip with RJ-45 connector
- **SSD** : One DiskOnChip™ socket
- **I/O** :
  - WAFER-4823 : 1 x RS-232 port and 1 x RS-232/422/485 selectable port
  - WAFER-4821 : 3 x RS-232 ports and 1 x RS-232/422/485 selectable port
  - 1 x parallel port (support SPP/EPP/ECP mode)
  - 1 x FDD channel
  - 1 x IDE channel 44-pin pin-header
- **Digital I/O** : - 4 x Input and 4 x Output
  - TTL Level
- **One PC/104 expansion connector for add-on cards**
- **WDT**: software programmable, support 1~ 255 sec. system reset
- **E<sup>2</sup> Key™** : A non-volatile 1Kbit EEPROM is provided to retain application critical read/write data (WAFER-4821)
- **Power Consumption** : - WAFER-4823 : +5V@1.92A (32MB EDO RAM)  
- WAFER-4821 : +5V@1.85A
- **Operating temperature** : 0°~60°C
- **Relative humidity** : 5~95%, non-condensing
- **GW**: 700g

### Dimensions



### ORDERING INFORMATION

- **WAFER-4823** 3.5" disk size 486DX4-100 embedded board with LCD/CRT VGA & 10Mbps Ethernet
- **WAFER-4821** 3.5" disk size 486DX4-100 embedded board with 10Mbps Ethernet
- **WAFER-4821-M4** 3.5" disk size 486DX4-100 embedded board with 10Mbps Ethernet & 4MB DRAM

# MB-1200

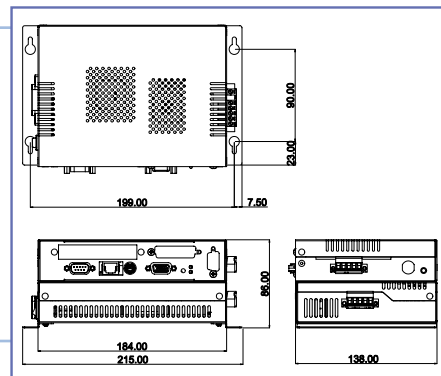
## Compact Chassis for Wafer 4821/4823



### SPECIFICATIONS

- Compact chassis for Wafer-4823/4821
- **Drive Bays** : 1 x 2.5" HDD
- **Reserved space for PC/104 module**
- **Power supply** : ACE-855 series
- **Dimensions** : 184(W) x 81 x 138(D)mm; (7.2" x 3.2" x 5.4")
- **Net/GW**: 1/2 (kg)

### Dimensions



### ORDERING INFORMATION

- **MB-1200W/ACE-855A**  
For Wafer-4821/4823 compact chassis with ACE-855A power supply